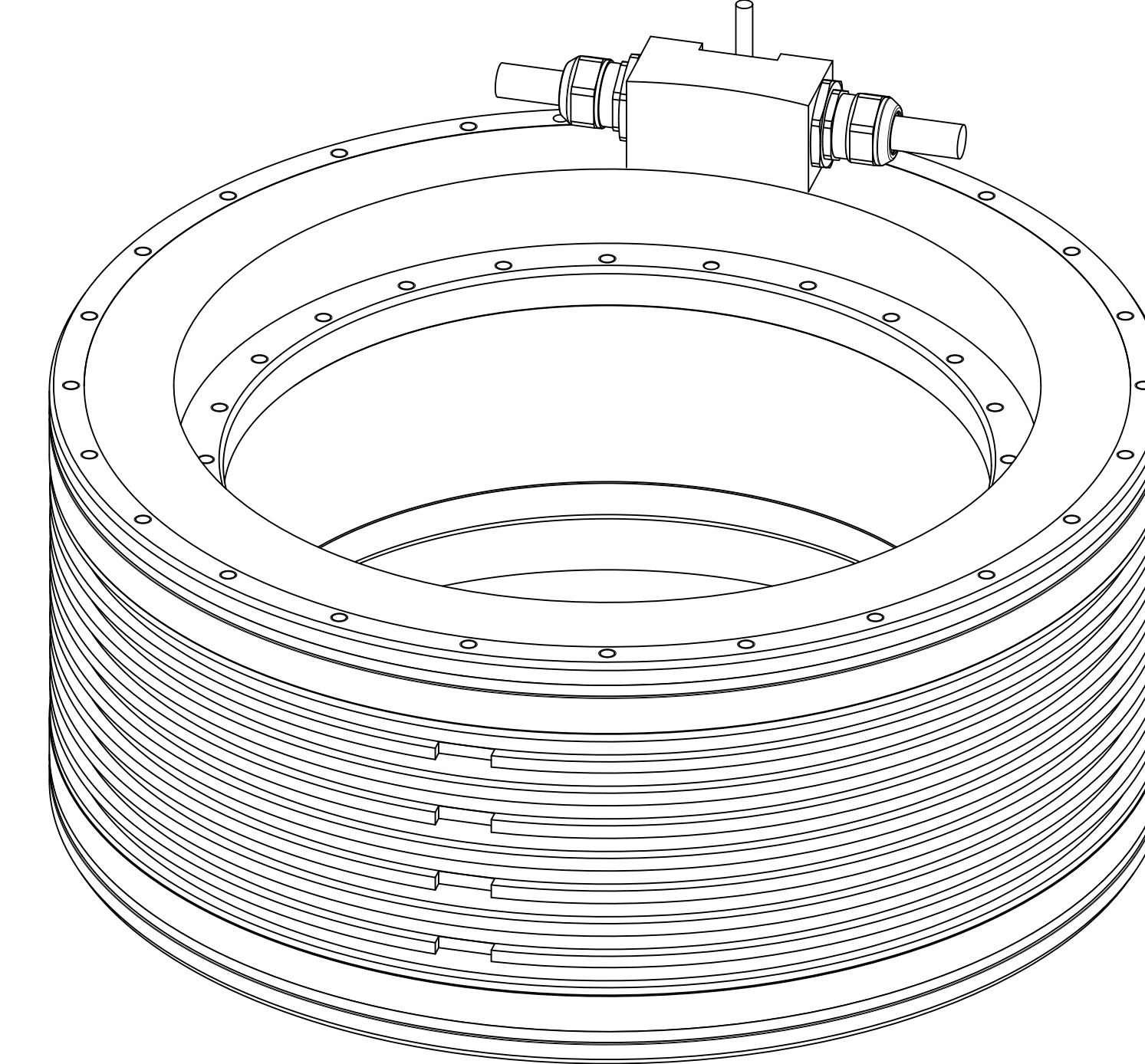
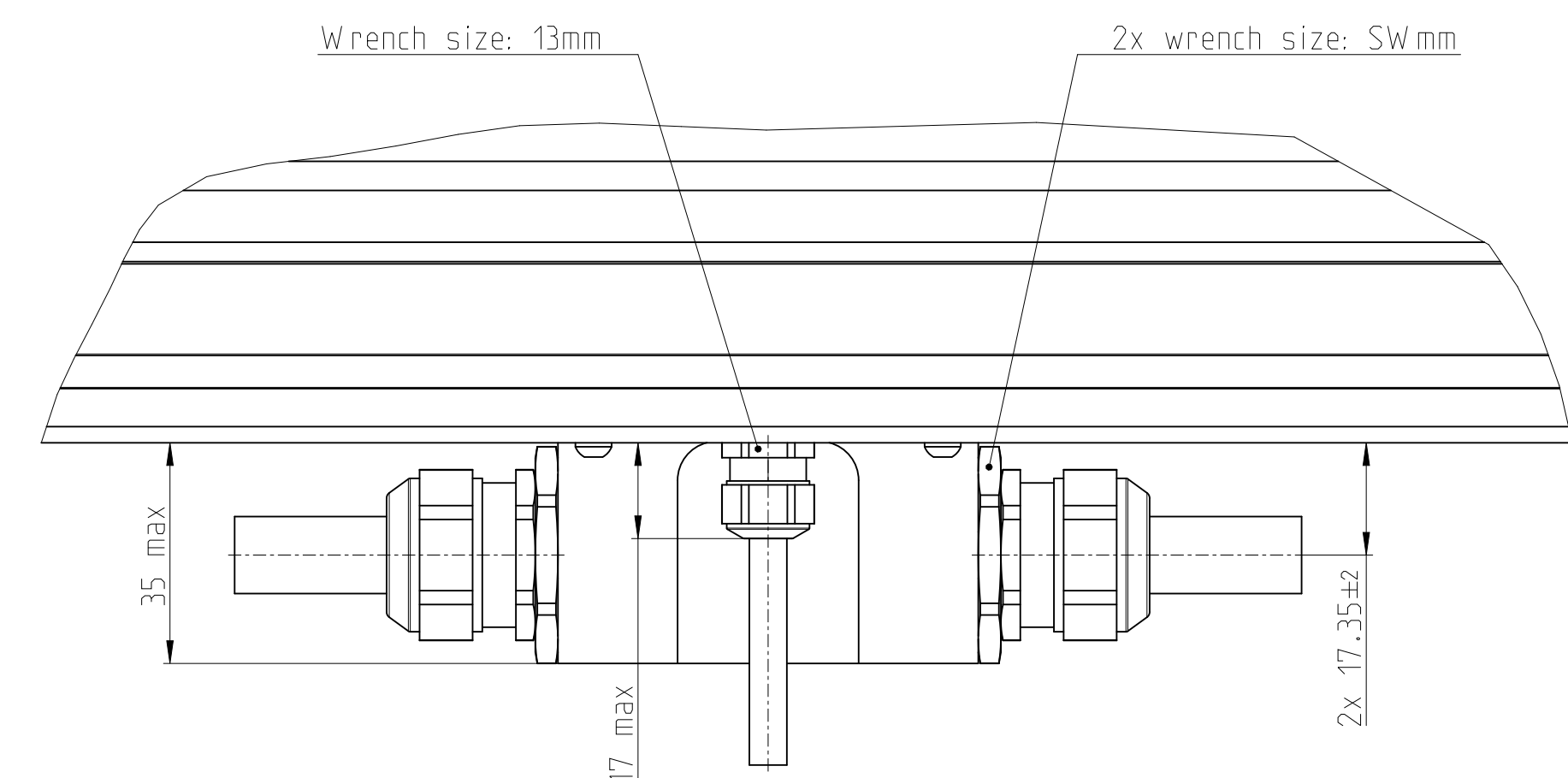
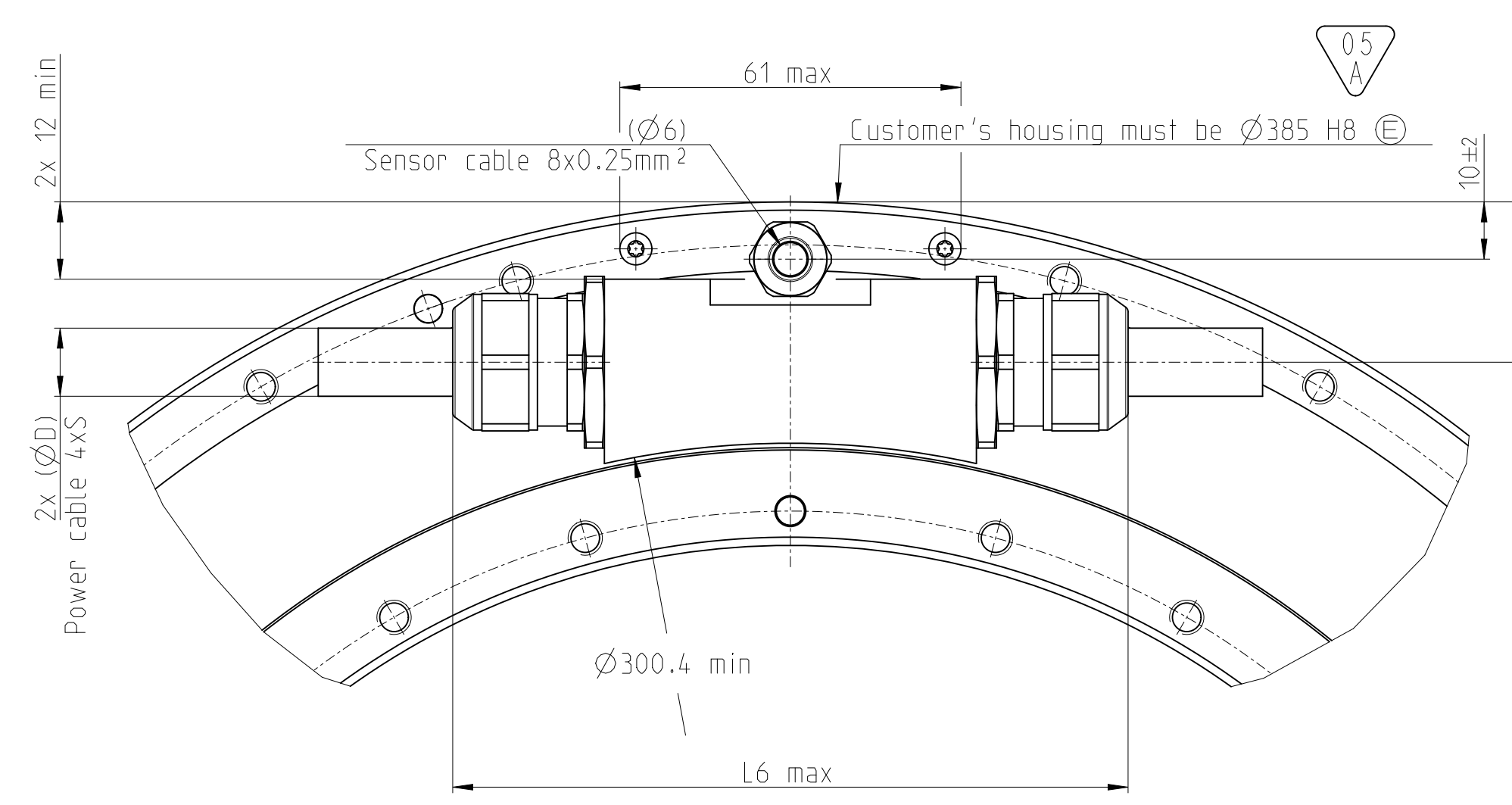
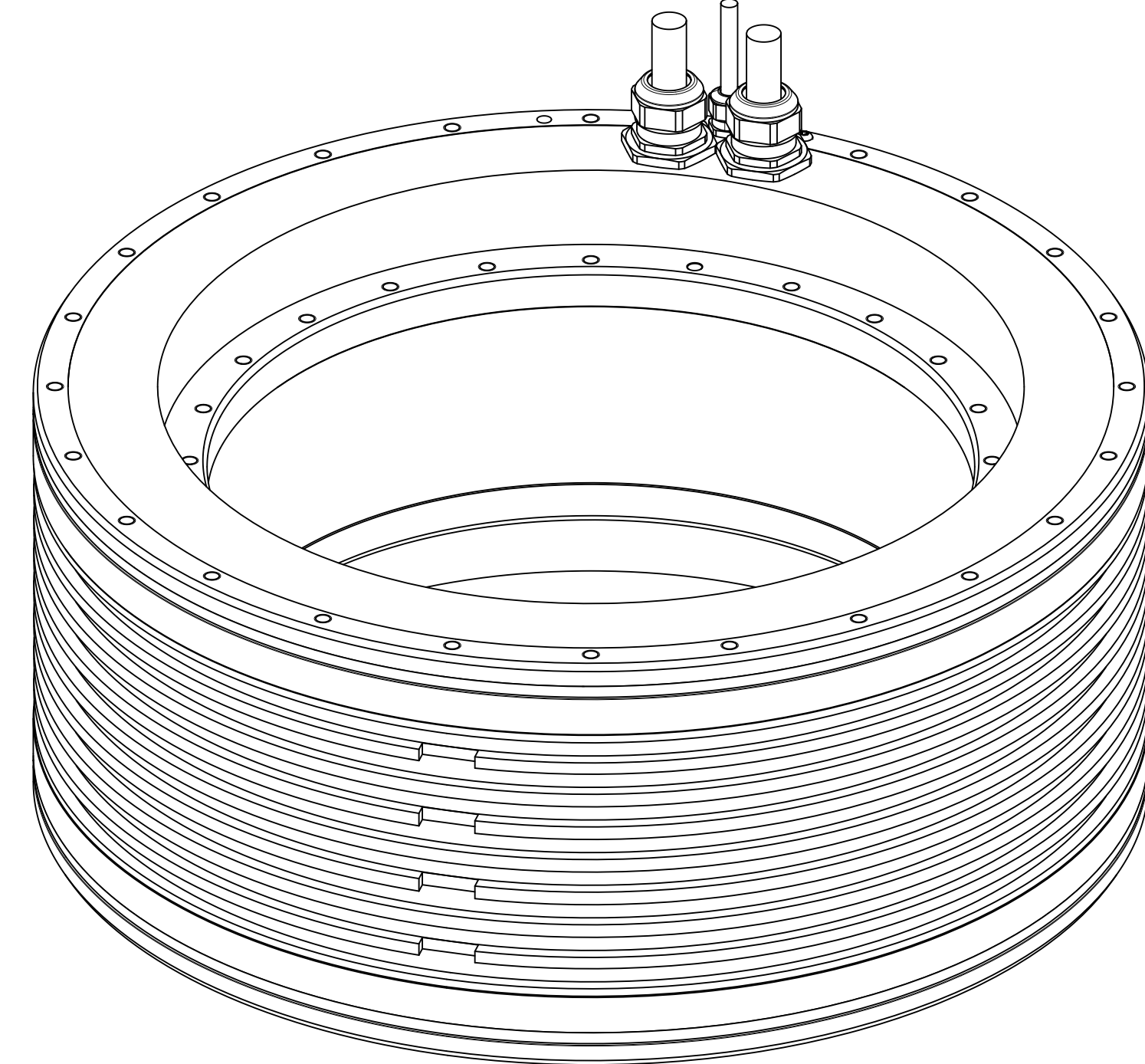
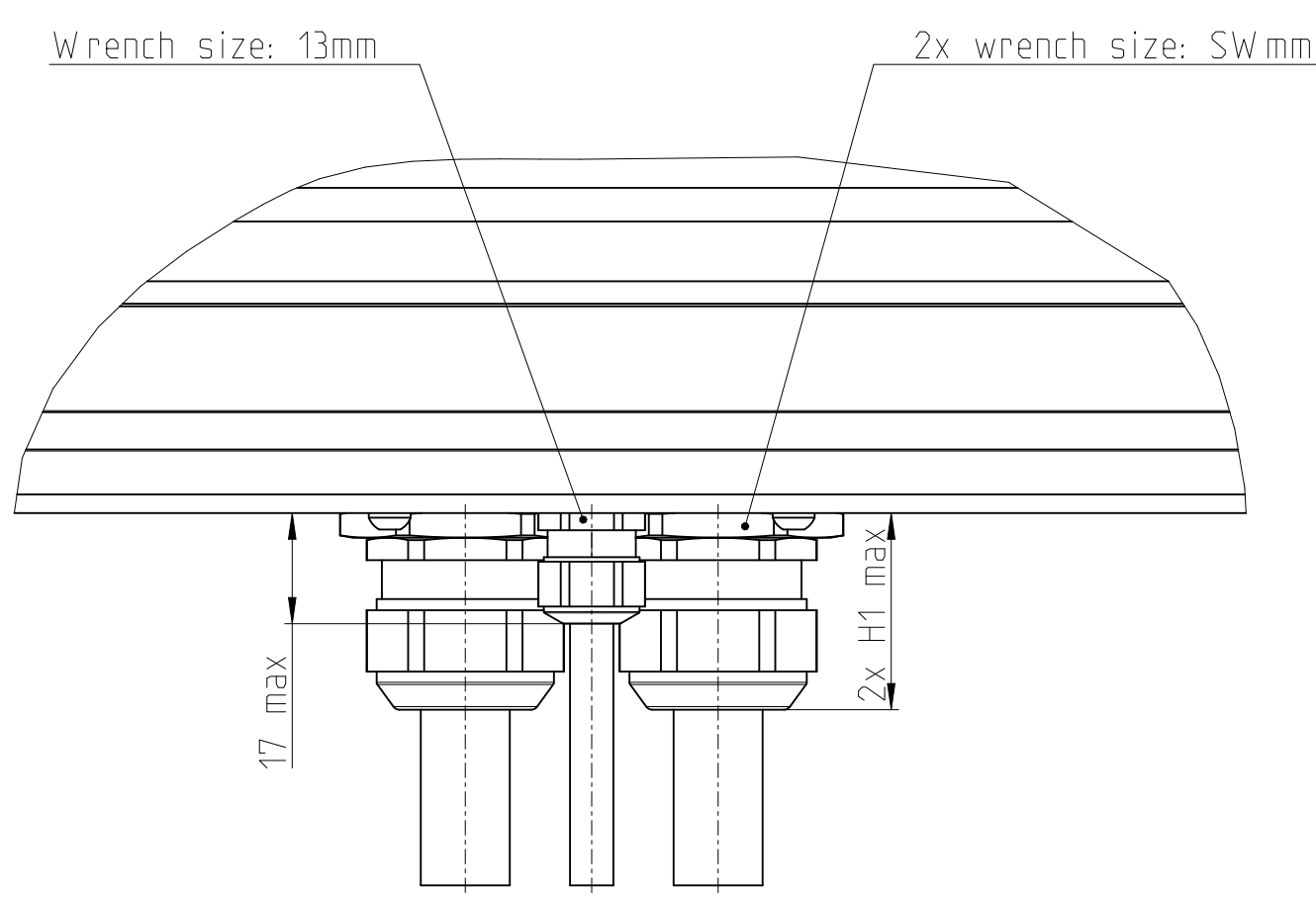
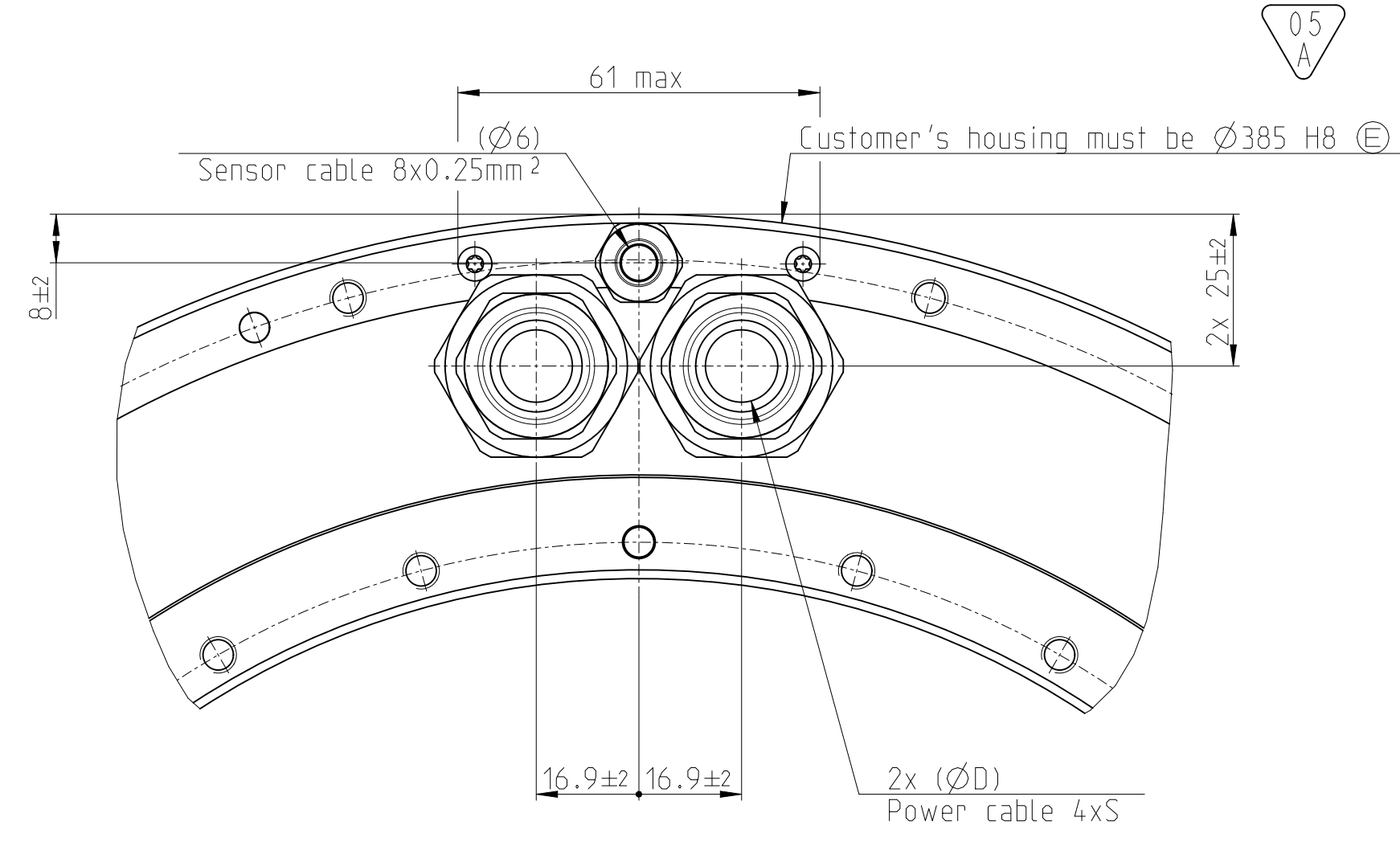
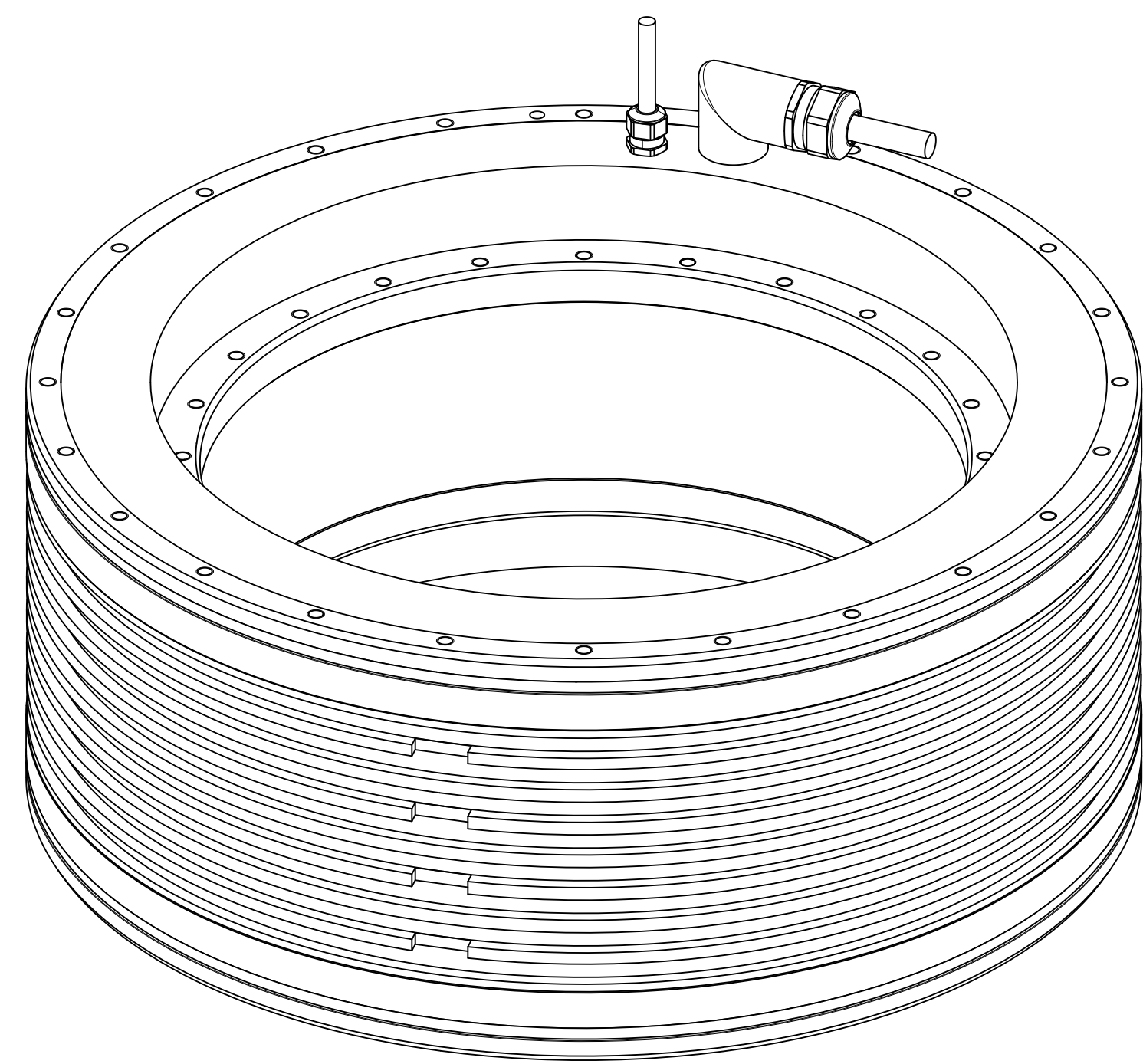
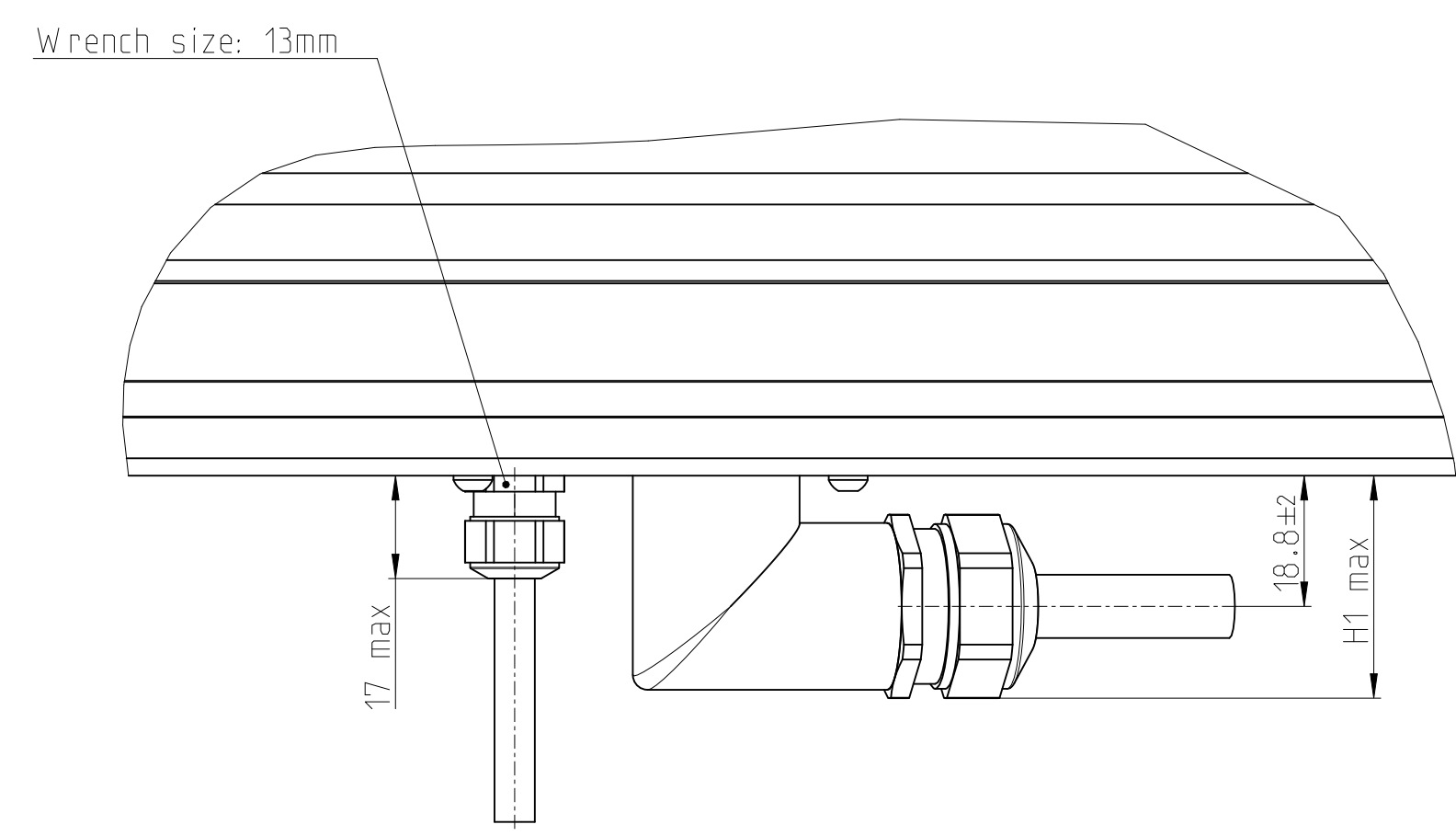
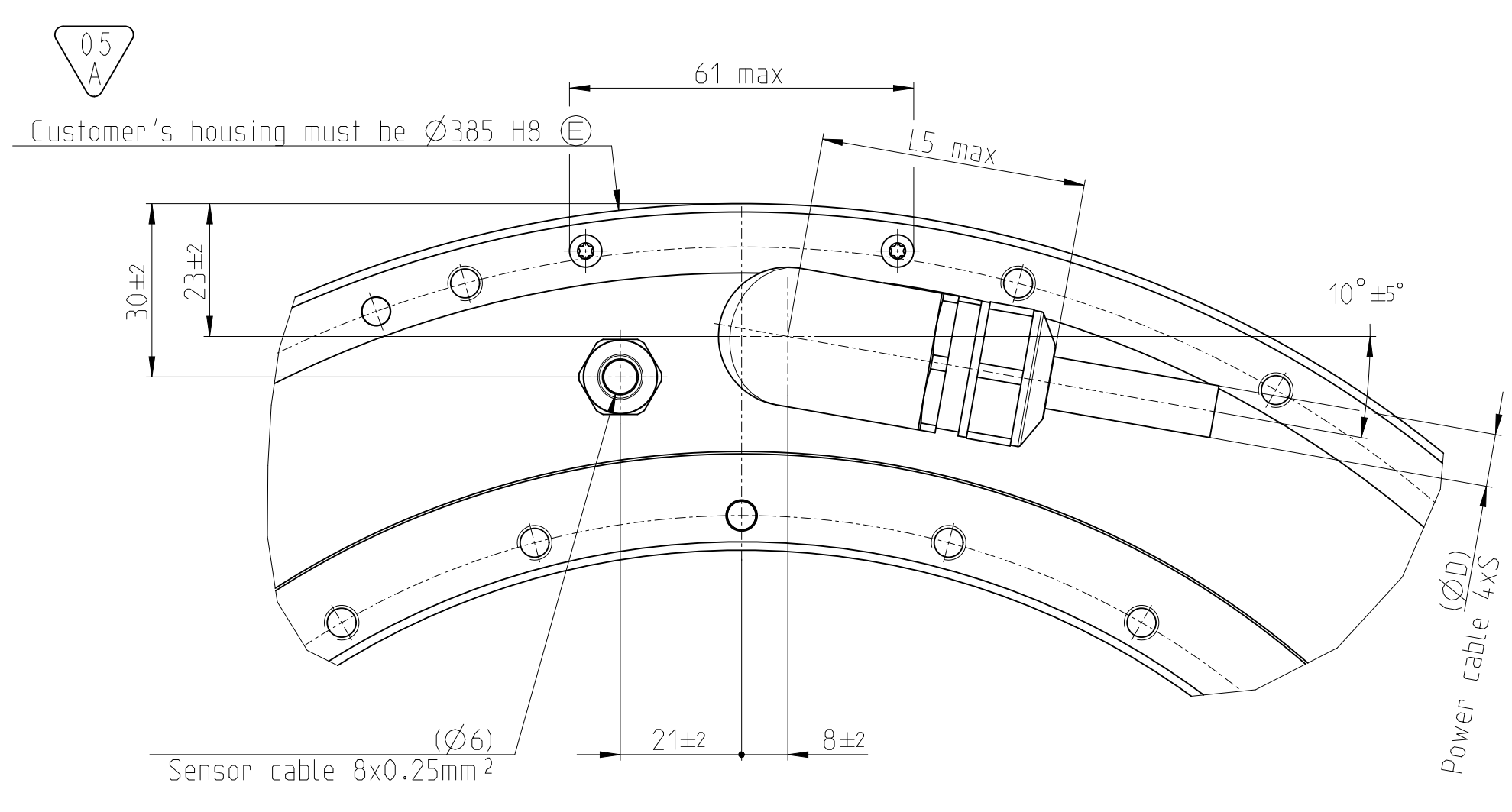
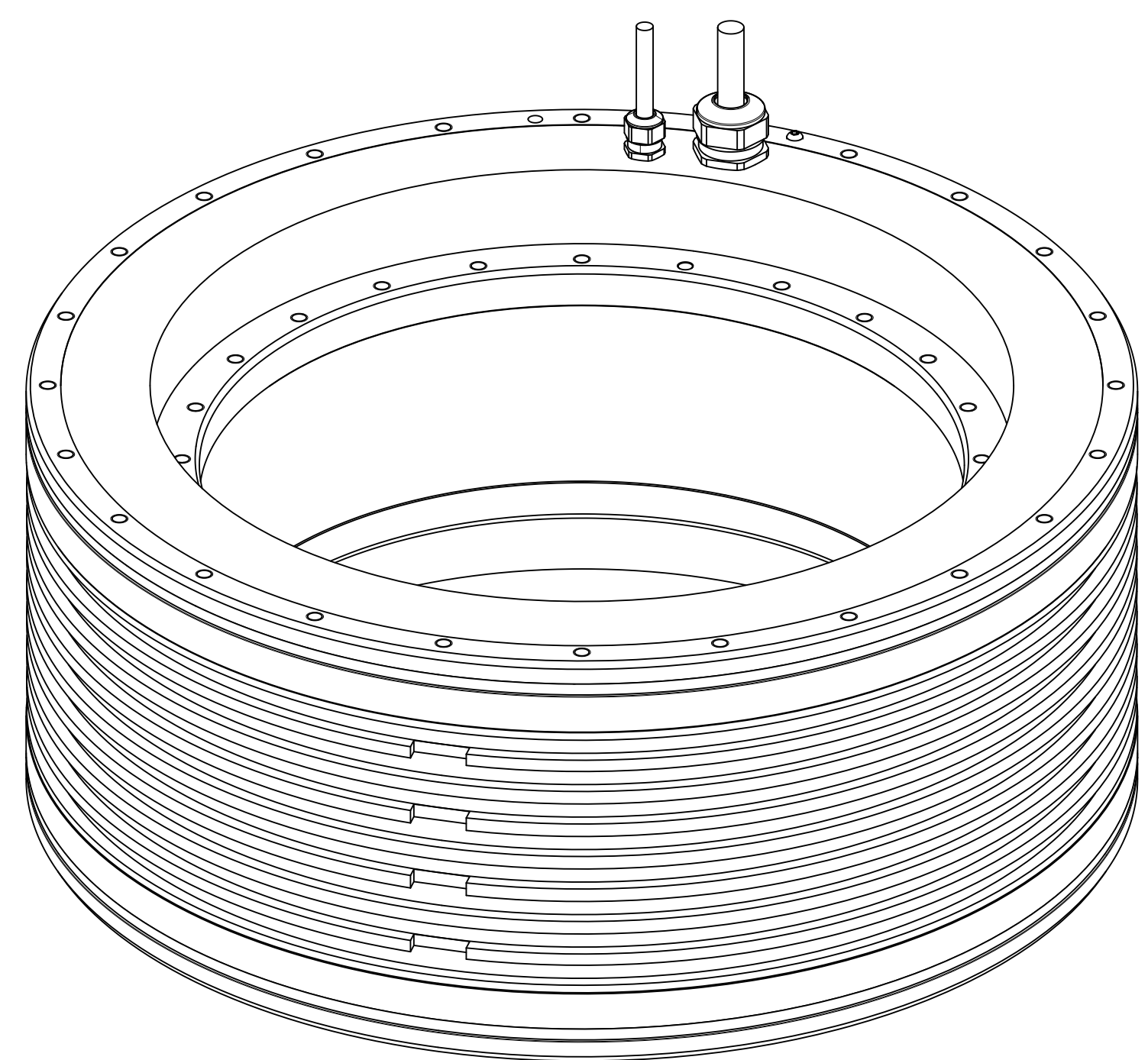
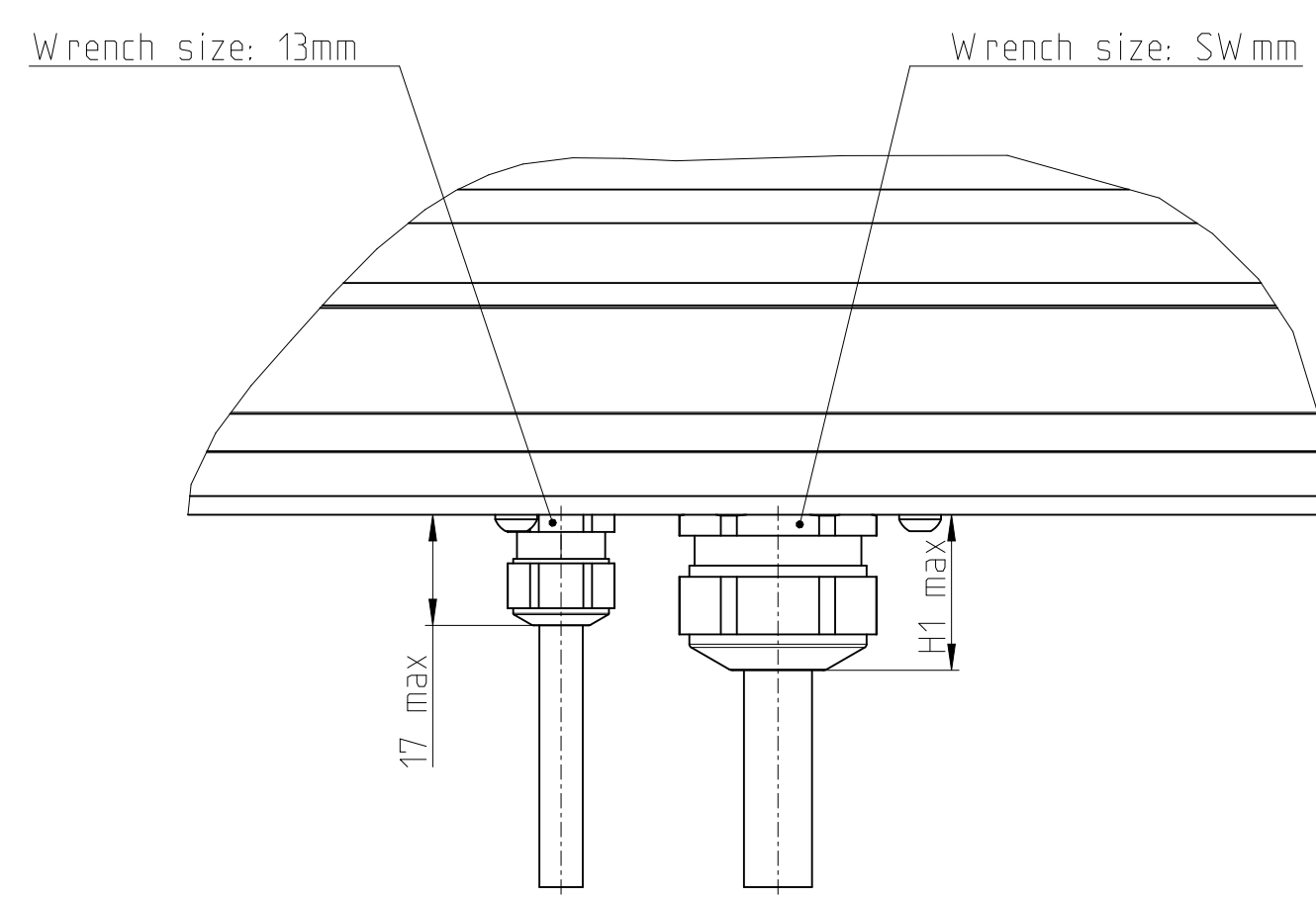
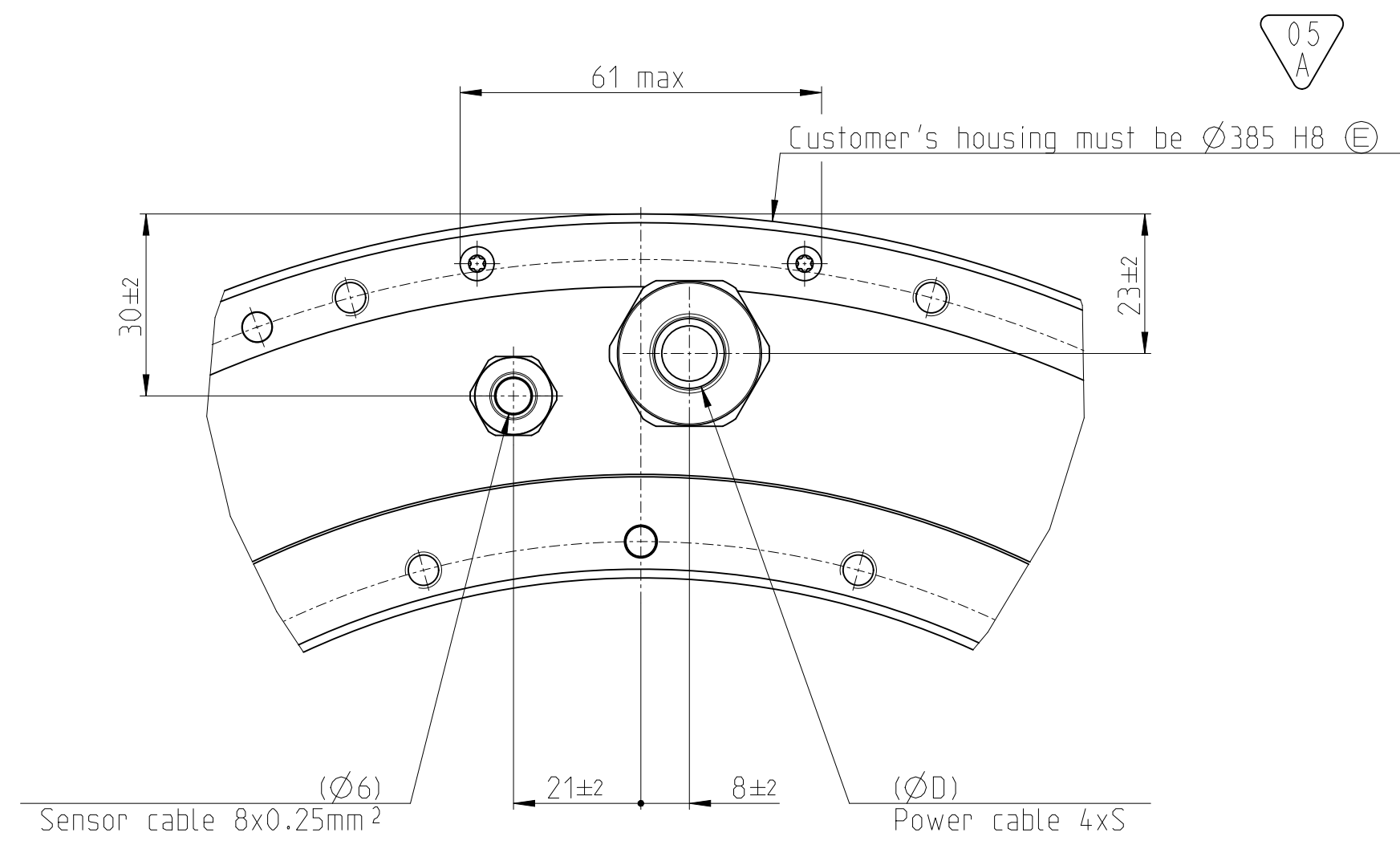


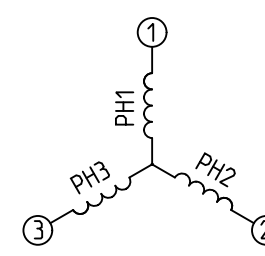
Designation	L1	L2	L3	L4	N1	N2	B
TMB+0360-030	90	55		31			
TMB+0360-050	110	75		51	12	12	30°
TMB+0360-070	130	95		71			
TMB+0360-100	160	125	15	101			
TMB+0360-150	210	175		151	24	23	15°
TMB+0360-200	260	225		202			

Text:	Original drawing	Scale: 1:1	Format: A0	Dimensions in mm:	1:1	ISO 15724
ID number:	TMB+0360-###-####-O#-AAO			Change No.:	03598636	13.12.2021
Released:	TMB+0360-###-####-O#-AAO			Tolerances as per ISO 8015:2011	Tolerances series ISO 8015:2011	
Dimensions without tolerance:	0.3			Dimensions with tolerance:	0.2	
The reproduction, distribution and utilization of this document as well as the communication of its contents to others without express authorization is prohibited. Offenders will be held liable for the payment of damages. All rights reserved in the event of the grant of a patent, utility model or design. (ISO 15724)						
ETEL S.A. 2112 Môtte SWITZERLAND				1176776-05-A-01		

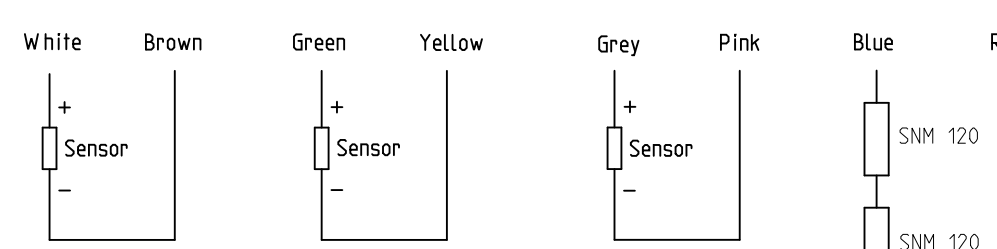


Power cable connection

Phase 1 = wire 1  
Phase 2 = wire 2  
Phase 3 = wire 3  
PE = yellow/green wire



Sensor cable connection: "P" or "T" configuration



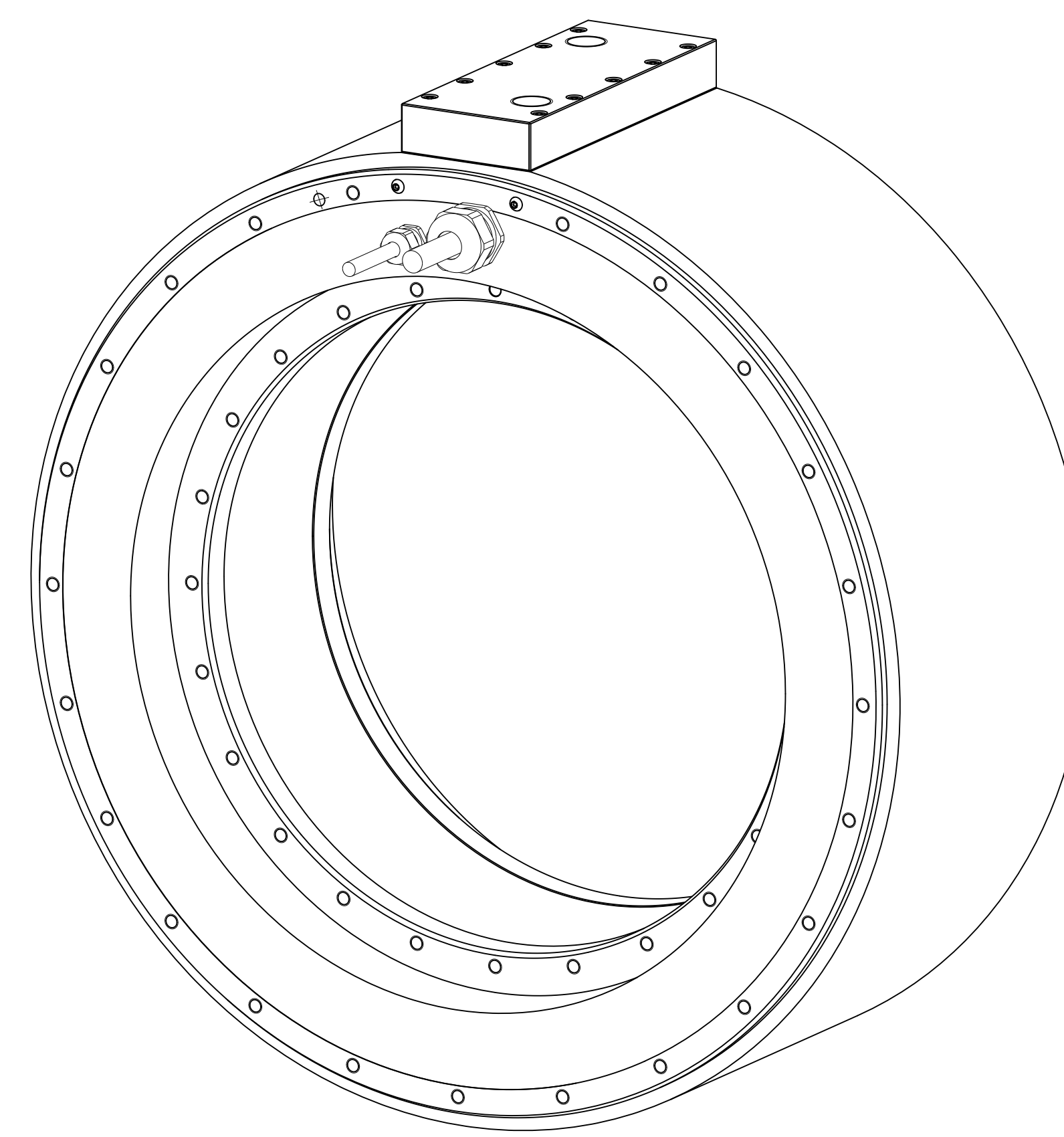
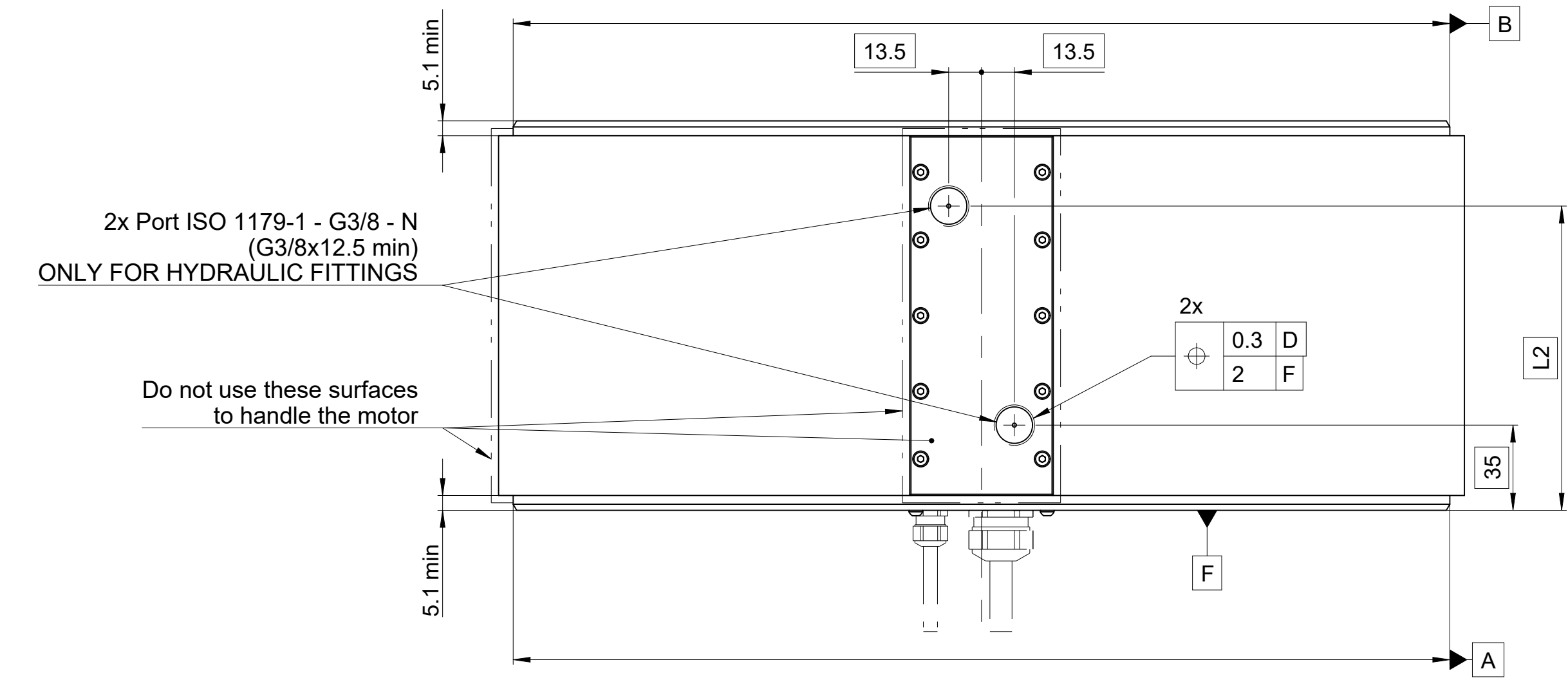
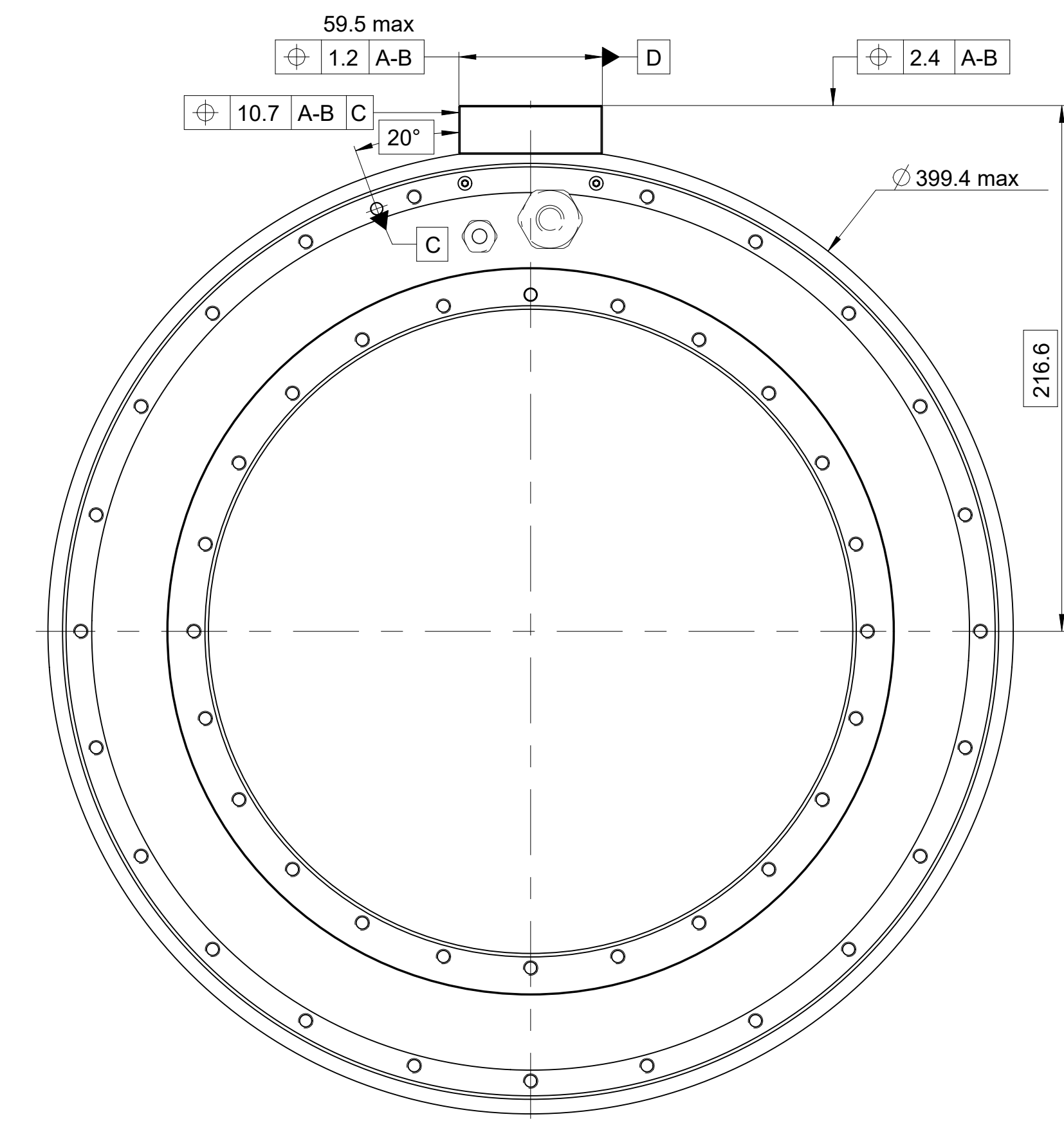
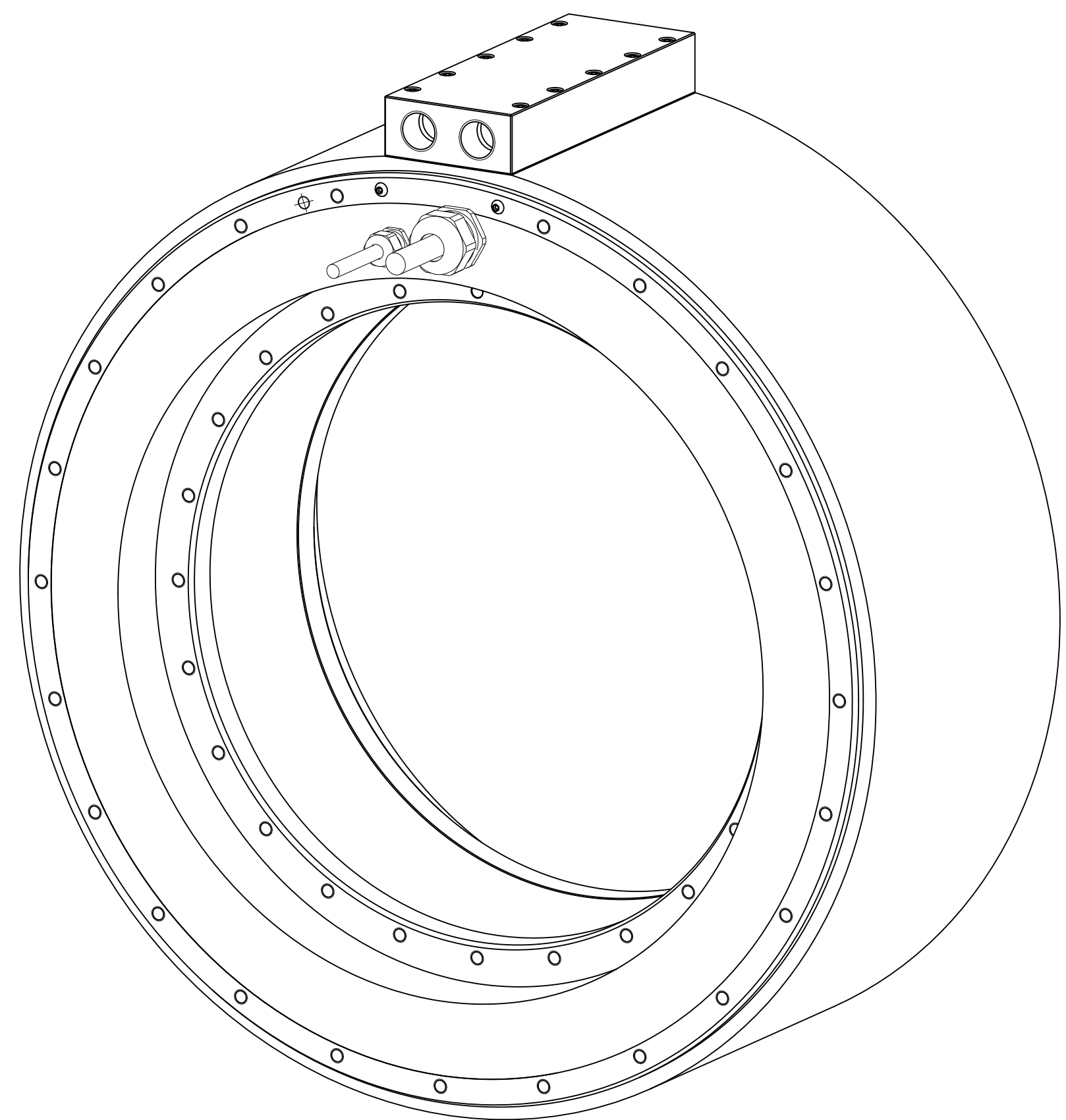
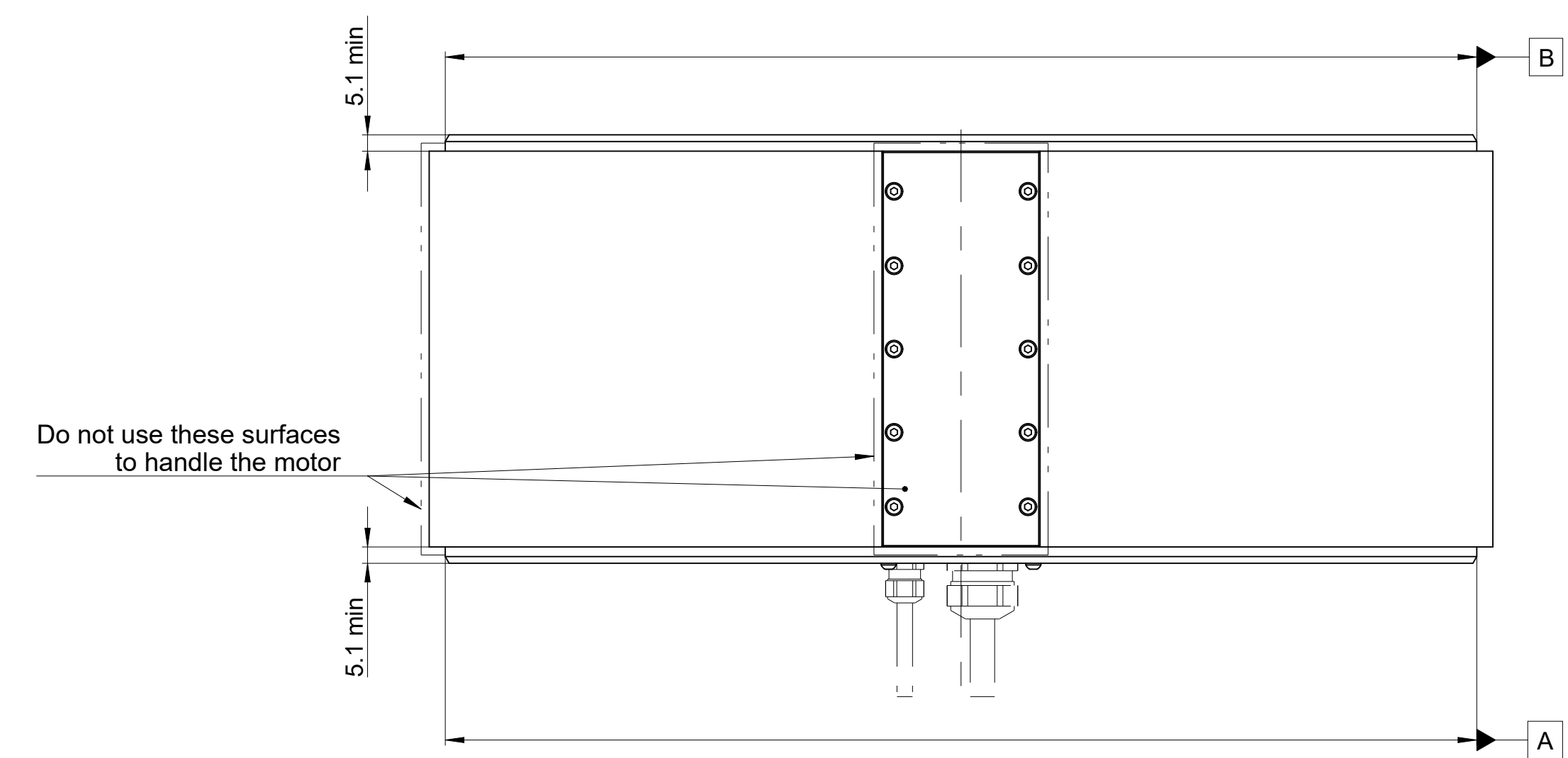
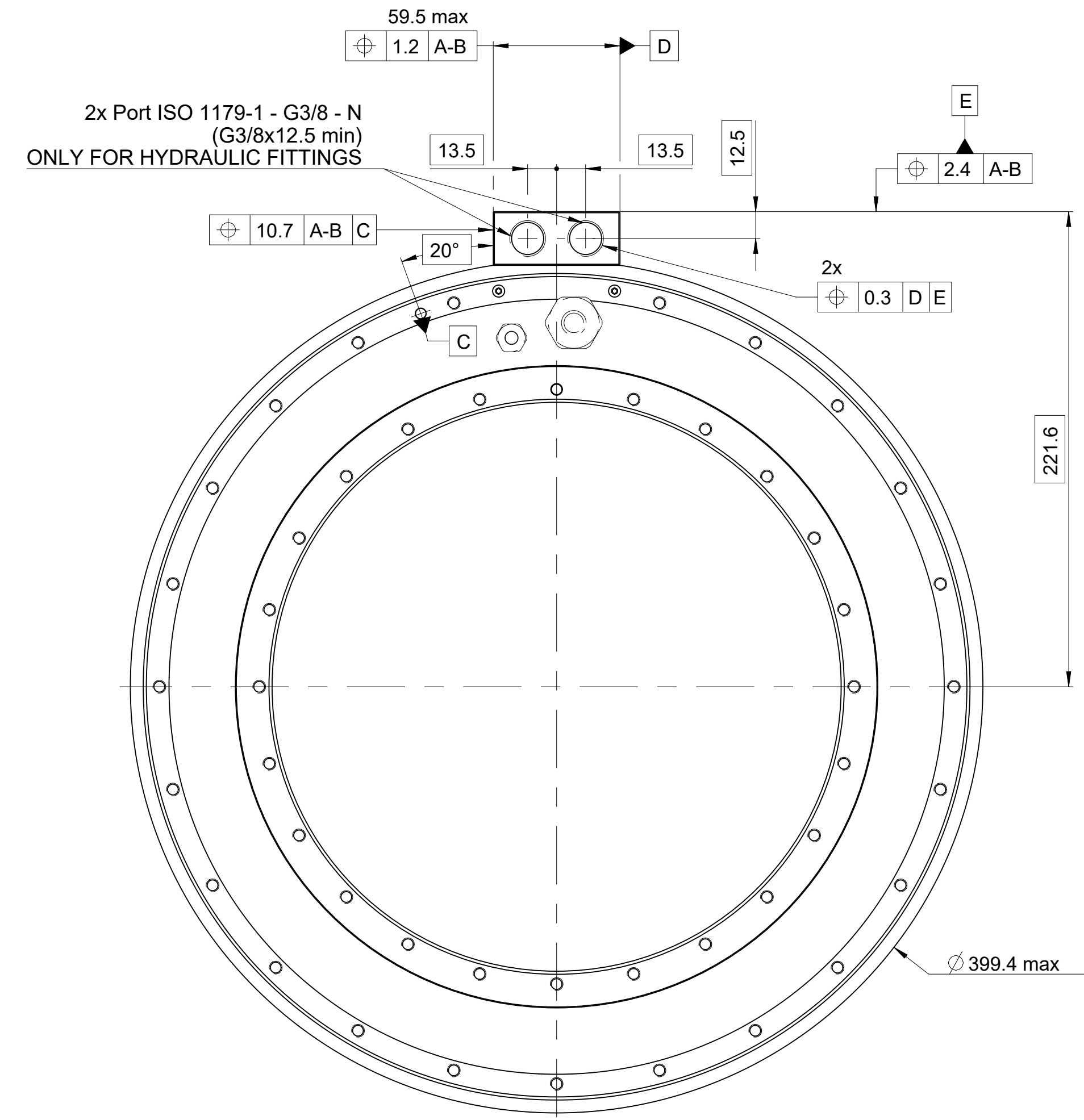
Configuration type	Sensor
"P"	KTY 84
"T"	PT 1000

Motor family	Connection		
	0140 0175 0291	0210	0290 0360 0450 0530 0760 0990 1221
White - Brown	Phase 1	Phase 3	Phase 2
Green - Yellow	Phase 3	Phase 2	Phase 1
Grey - Pink	Phase 2	Phase 1	Phase 3

Designation	Output type	S=Wire section [mm²]	L5 [mm]	L6 [mm]	H1 [mm]	D [mm]	SW [mm]	Bending radius [mm]
TMB+0360-###-TA#S#	Type 1	1.5	-	-	26	9.1	24	Static bending radius for: - sensor cable = 30 - power cable = 4x ØD
TMB+0360-###-TA#E#	Type 2		51.5		34.5			
TMB+0360-###-VA#S#	Type 1		-		26			
TMB+0360-###-VA#E#	Type 2		51.5		34.5			
TMB+0360-###-UA#S#	Type 1	2.5	-	-	26	10.6		
TMB+0360-###-UA#E#	Type 2		51.5		34.5			
TMB+0360-###-TB#S#	Type 1		-		26			
TMB+0360-###-TB#E#	Type 2		51.5		34.5			
TMB+0360-###-UB#S#	Type 1	4	-	-	26	11.9		
TMB+0360-###-UB#E#	Type 2		51.5		34.5			
TMB+0360-###-VB#S#	Type 1		-		28			
TMB+0360-###-VB#E#	Type 2		53.5		34.5			
TMB+0360-###-TF#S#	Type 3	6	-	-	32	14.5		
TMB+0360-###-TF#E#	Type 4		128.5		-			
TMB+0360-###-UF#S#	Type 3		-		31			
TMB+0360-###-UF#E#	Type 4		127		-			

Text:		ID number:	03058636
Original drawing	TMB+0360-###-####-O#-AAO	Change No.	13.12.2021
Scale: 1:1	TMB+0360-###-####-O#-AAO	Tolerances as per ISO 8015: 2011	Tolerances series ISO 8015: 2011
Dimensions in mm	1:1 A0	Dimensions without tolerance	±0.2
ETEL S.A. 2112 Mörsch SWITZERLAND		1176776-05-A-01	





Designation	L2
TMB+0360-030	55
TMB+0360-050	75
TMB+0360-070	95
TMB+0360-100	125
TMB+0360-150	175
TMB+0360-200	225