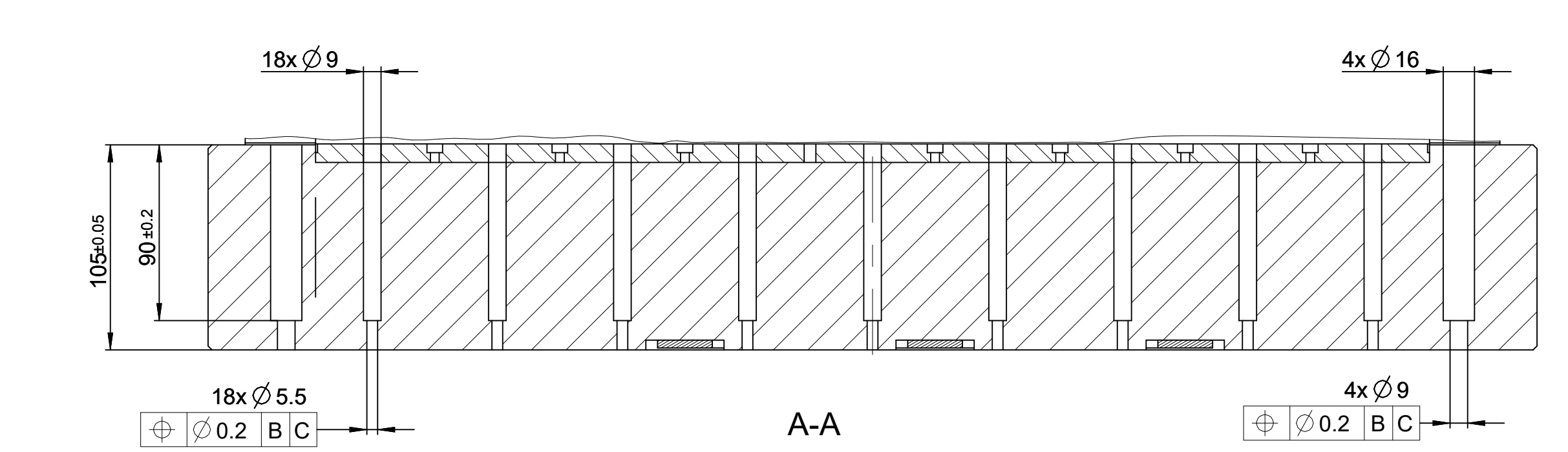
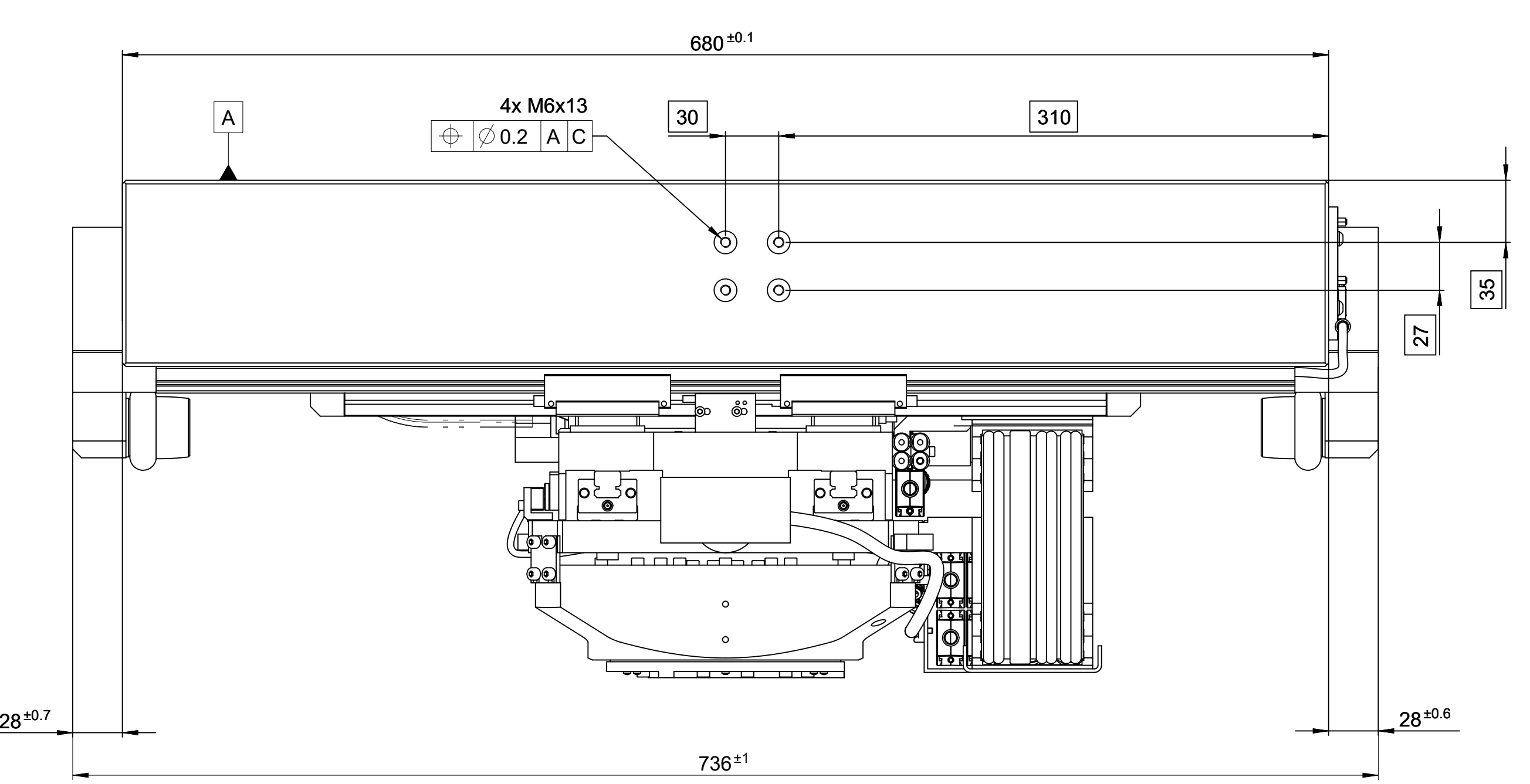
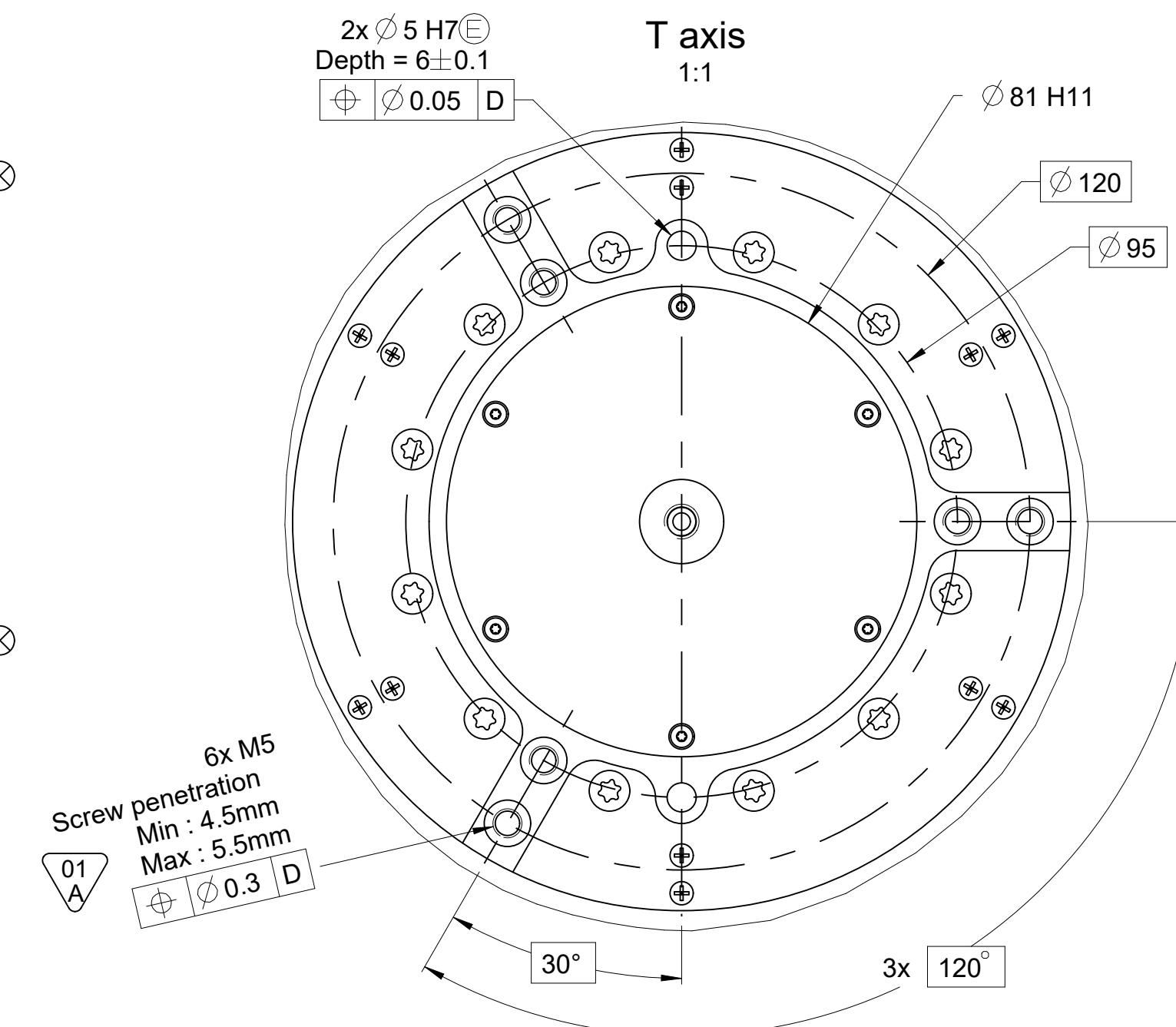
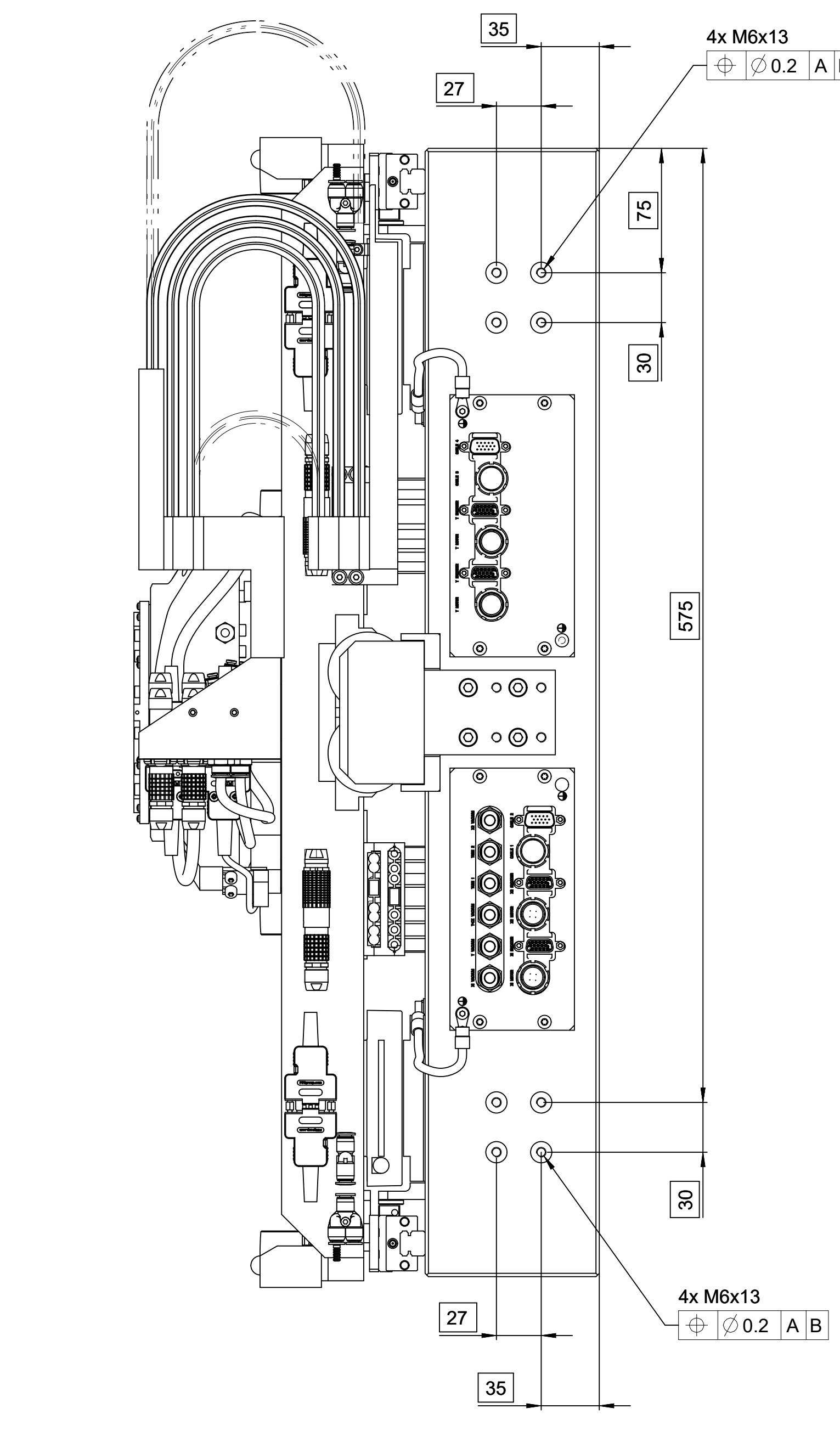
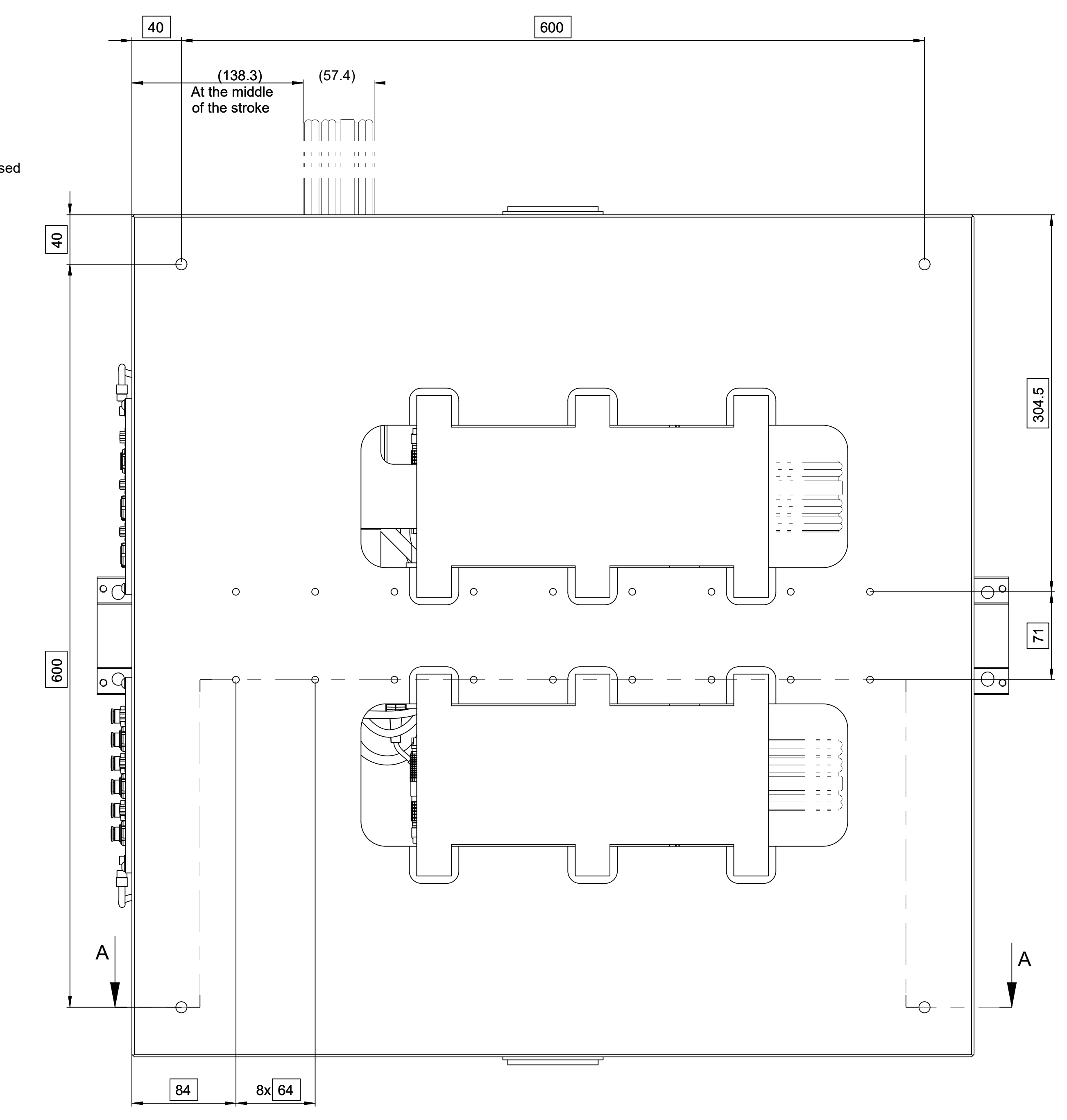
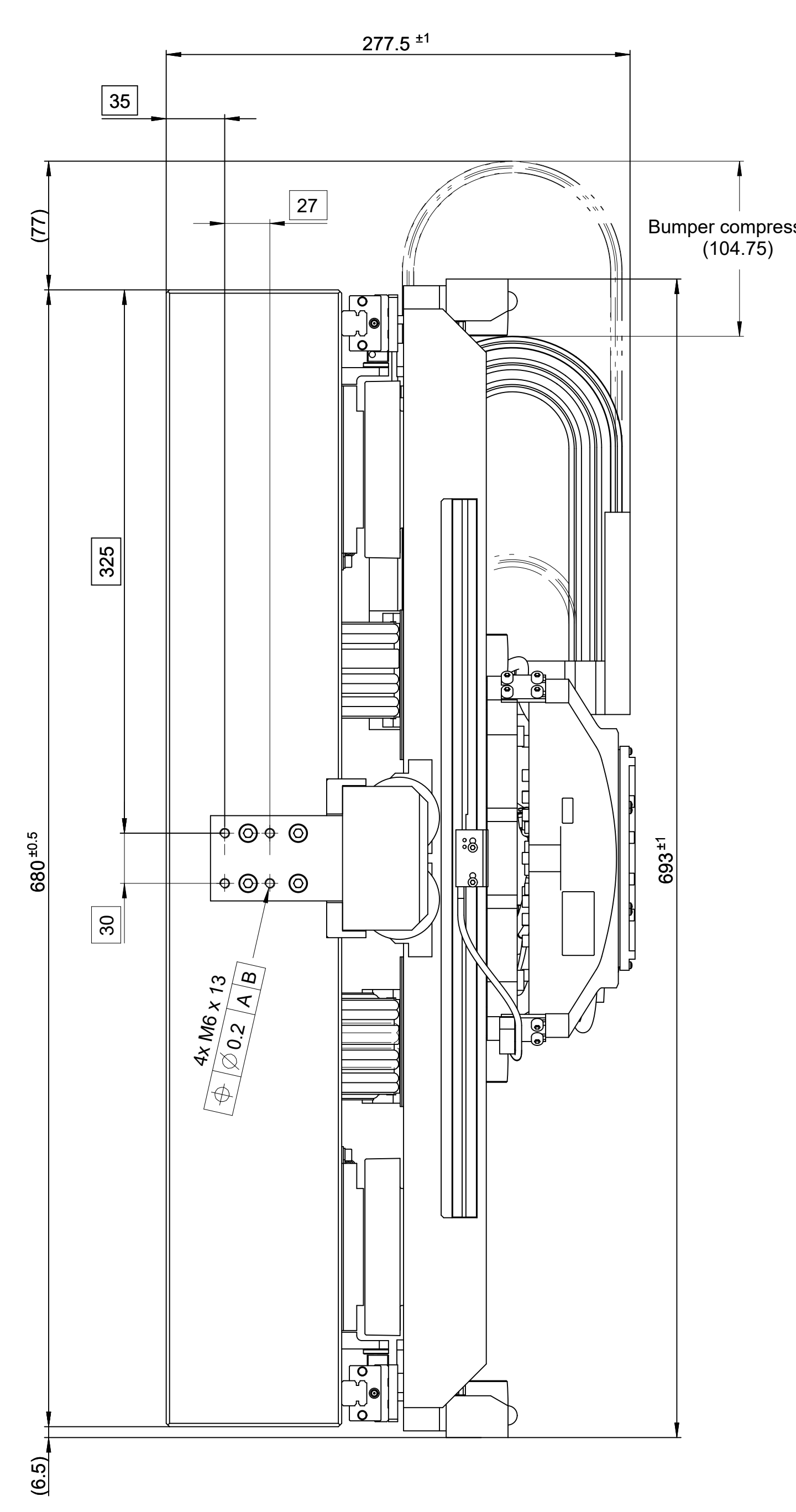
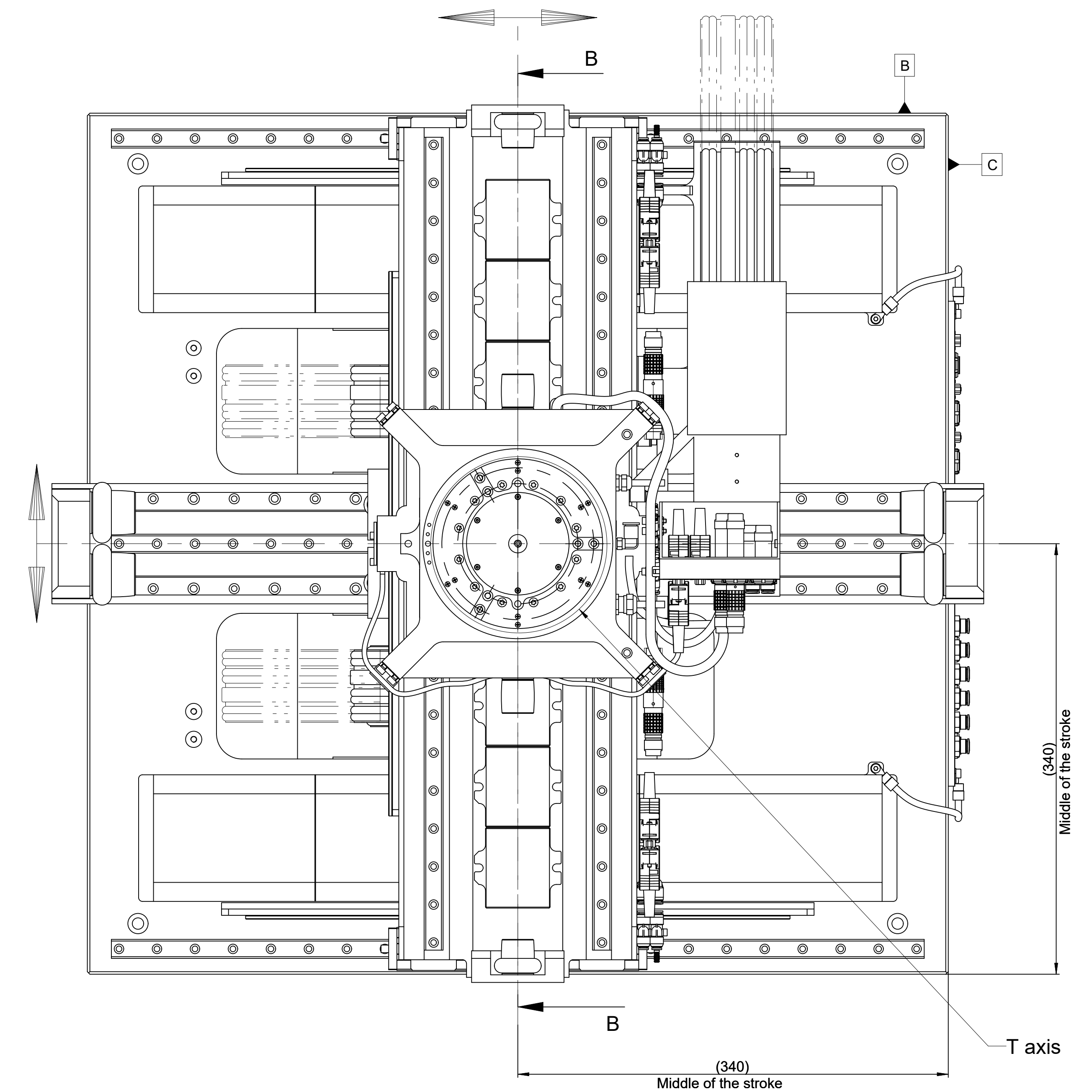
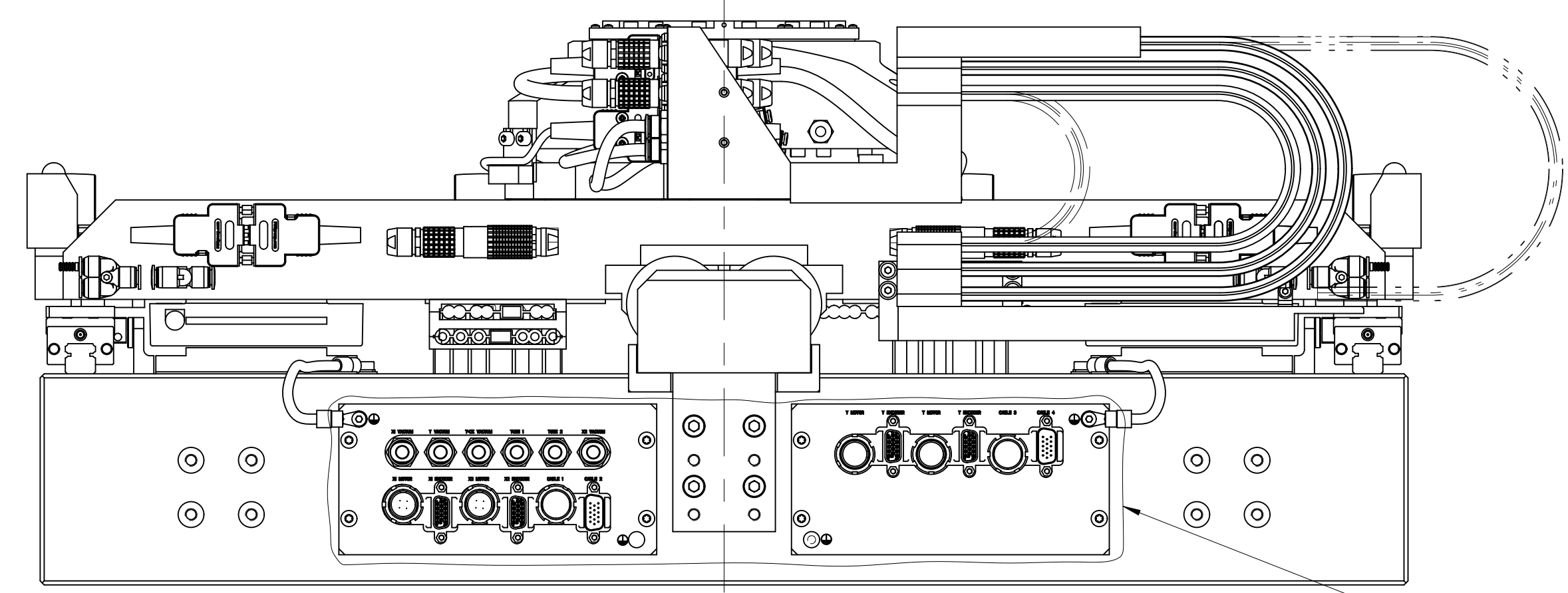


Stroke X = 365 mm min.  
Mechanical stroke X = 406 mm max. (bumpers compressed)

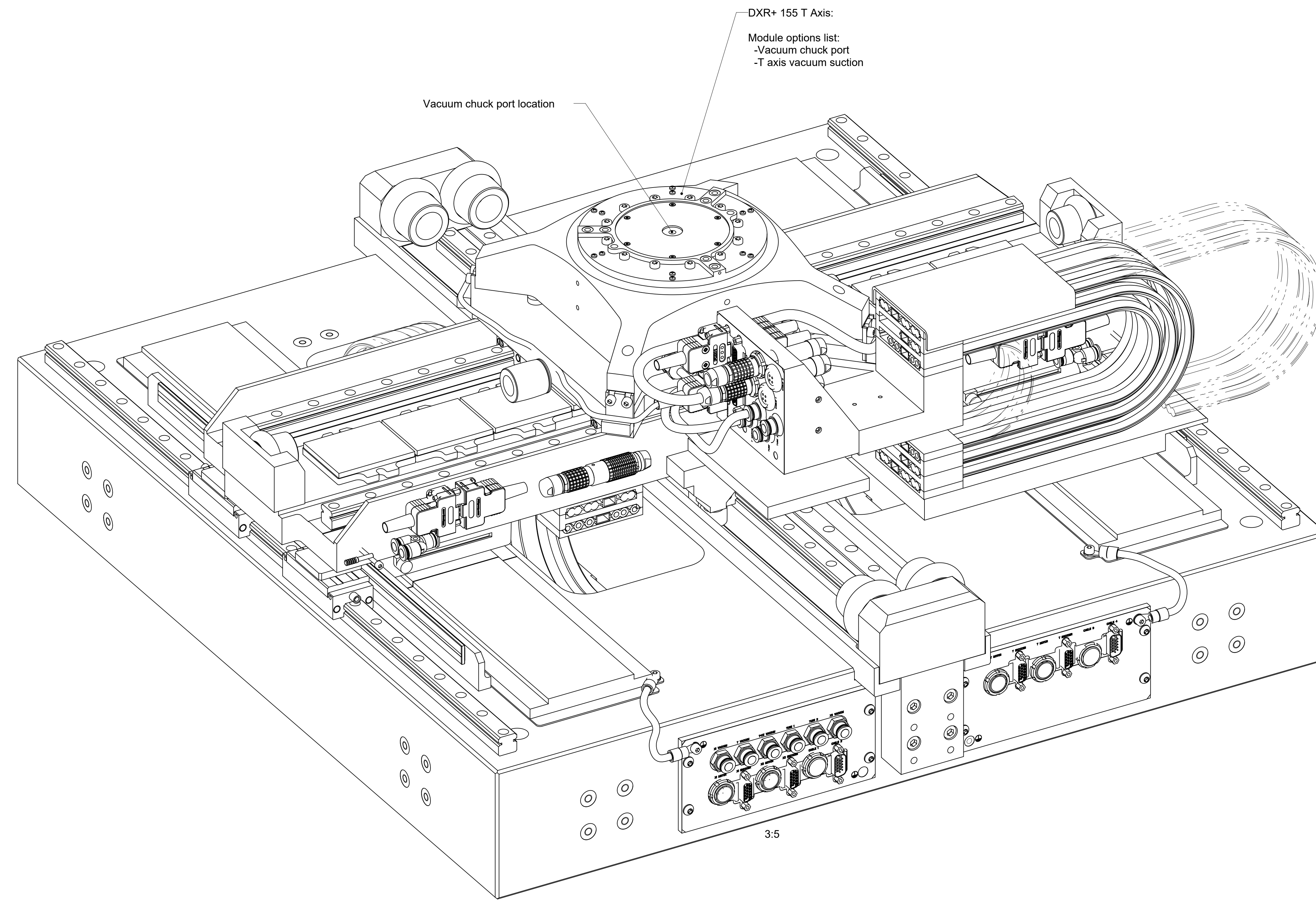
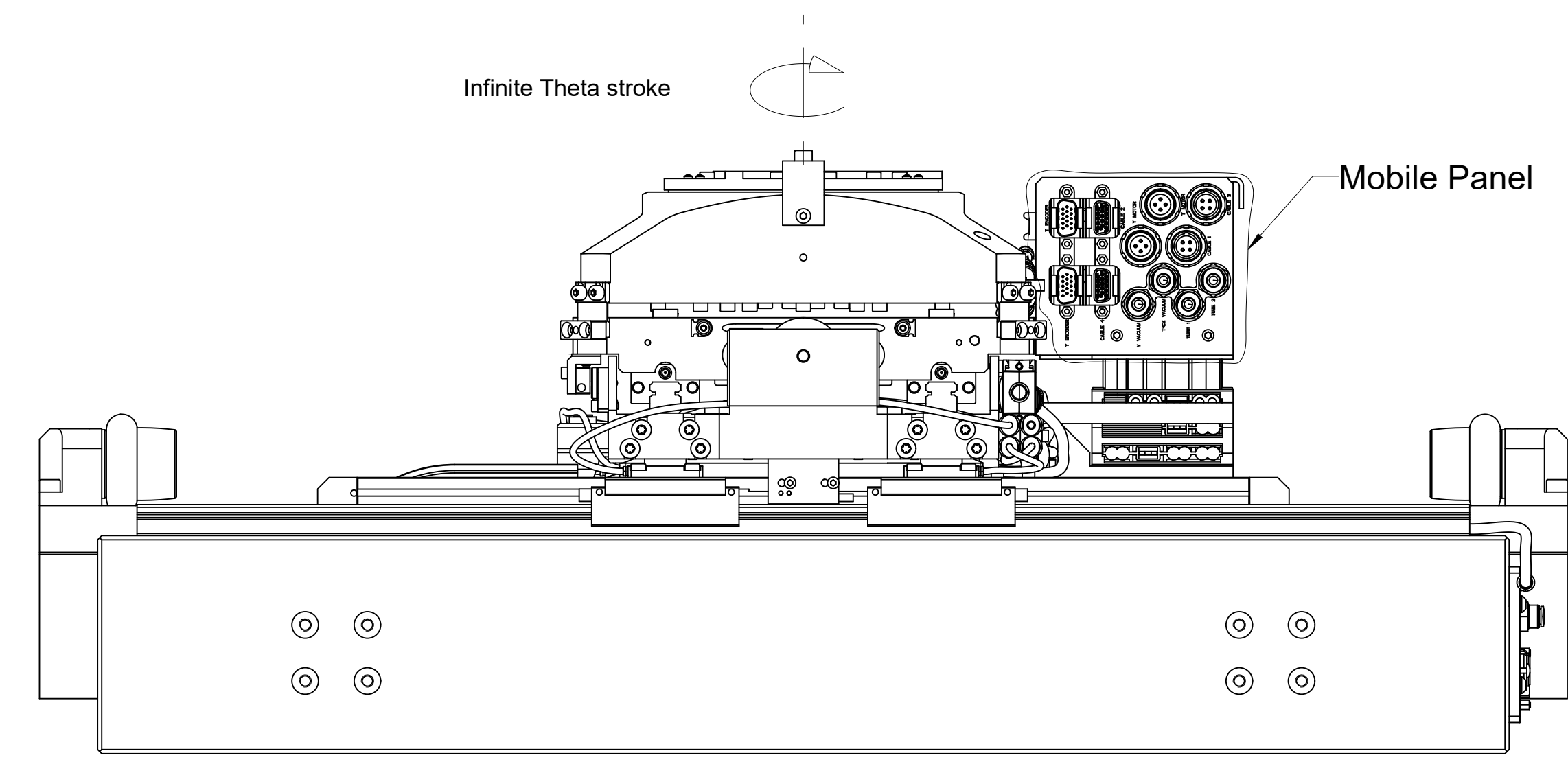


It is required to mount Vulcano 2 Stages on a granite or equivalent flat surface with a flatness inferior or equal to 5 microns

Text	Add note	Screw penetration	ID number: 1281005-01
Original drawing	Scale: 1/1 format	Change No. C1304251-01	Released: 16 Jun 22
Dimensions in mm	2.5 A0	Tolerances as per ISO 8015: 2011	Dimensions with tolerance: ±0.2
The reproduction, distribution and utilization of this document as well as the communication of its contents to others without express authorization is prohibited. Offenders will be held liable for the payment of damages. All rights reserved in the event of the grant of a patent, utility model or design. (ISO 15071)			ETEL S.A. 2112 Mölvenstrasse SWITZERLAND
1304251-01 - A-01			Page 1 of 1



Front panel

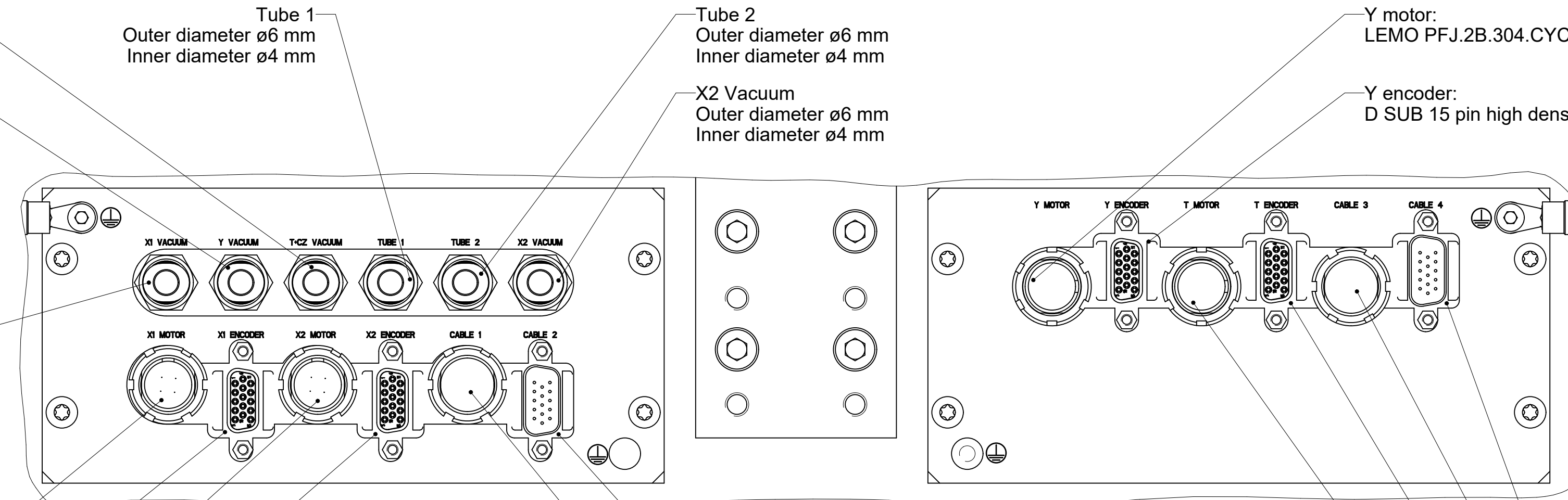


DXR+ 155 T Axis:  
Module options list:  
- Vacuum chuck port  
- T axis vacuum suction

Vacuum chuck port location

3:5

Front panel  
1:1



T + CZ Vacuum  
Outer diameter ø6 mm  
Inner diameter ø4 mm

Tube 1  
Outer diameter ø6 mm  
Inner diameter ø4 mm

Tube 2  
Outer diameter ø6 mm  
Inner diameter ø4 mm

Y Vacuum  
Outer diameter ø6 mm  
Inner diameter ø4 mm

X2 Vacuum  
Outer diameter ø6 mm  
Inner diameter ø4 mm

X1 Vacuum  
Outer diameter ø6 mm  
Inner diameter ø4 mm

X1 motor:  
LEMO PFJ.2B.304.CYCDxx type connector

X1 encoder:  
D SUB 15 pin high density female connector

X2 motor:  
LEMO PFJ.2B.304.CYCDxx type connector

X2 encoder:  
D SUB 15 pin high density female connector

Cable 2:  
D SUB 15 pin high density male connector  
4x AWG26 twisted pairs + 4x AWG 24 isolated wires

Cable 1:  
LEMO PFJ.2B.304.CYCDxx type connector  
4x AWG20 isolated wires

Y motor:  
LEMO PFJ.2B.304.CYCDxx type connector

Y encoder:  
D SUB 15 pin high density female connector

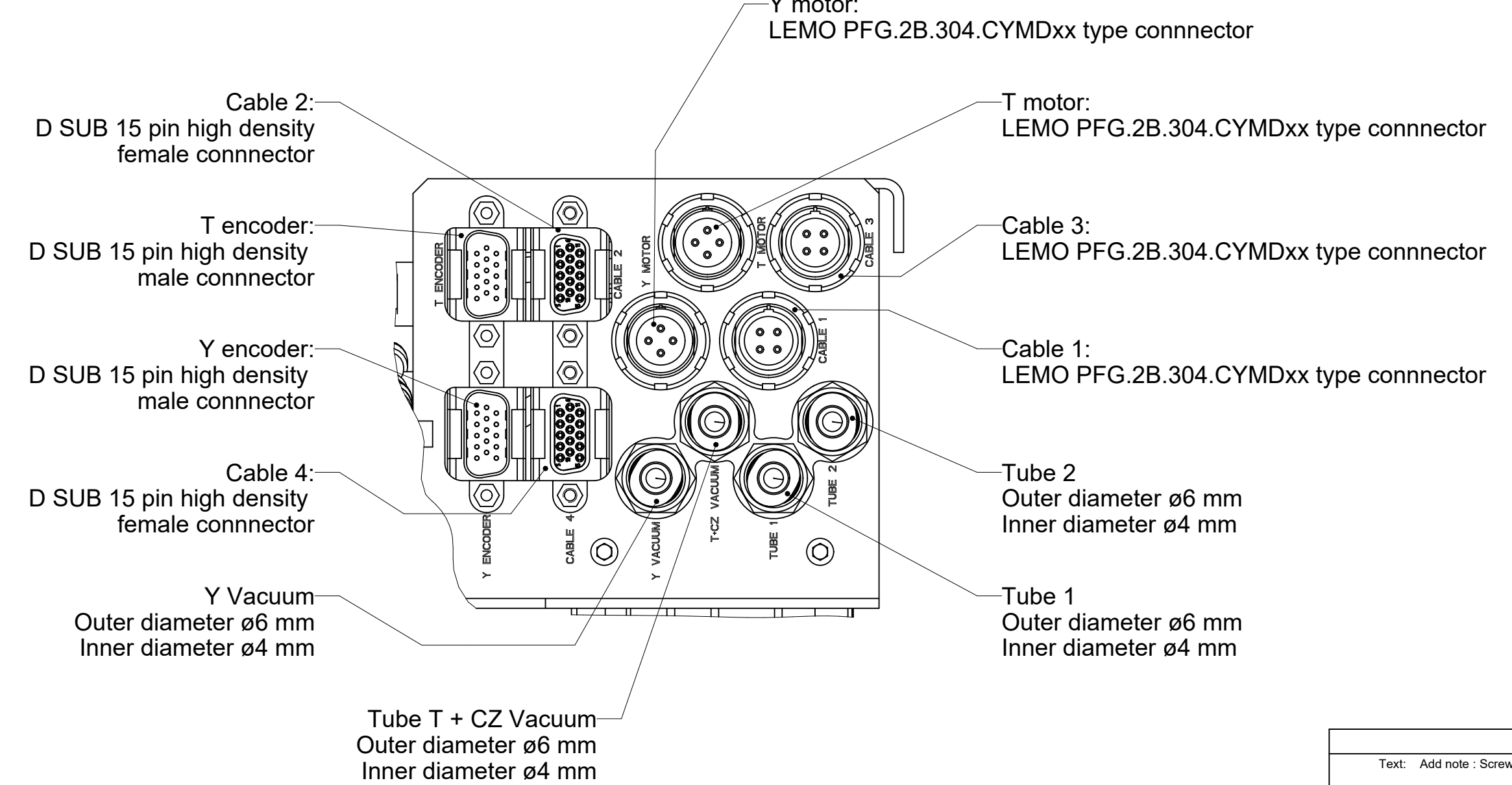
Cable 4:  
D SUB 15 pin high density male connector  
4x AWG26 twisted pairs + 4x AWG 24 isolated wires

Cable 3:  
LEMO PFJ.2B.304.CYCDxx type connector  
4x AWG20 isolated wires

T encoder:  
D SUB 15 pin high density female connector

T motor:  
LEMO PFJ.2B.304.CYCDxx type connector

Mobile Panel  
1:1



Cable 2:  
D SUB 15 pin high density female connector

T encoder:  
D SUB 15 pin high density male connector

Y encoder:  
D SUB 15 pin high density male connector

Cable 4:  
D SUB 15 pin high density female connector

Y Vacuum  
Outer diameter ø6 mm  
Inner diameter ø4 mm

Tube T + CZ Vacuum  
Outer diameter ø6 mm  
Inner diameter ø4 mm

Y motor:  
LEMO PFG.2B.304.CYMDxx type connector

T motor:  
LEMO PFG.2B.304.CYMDxx type connector

Cable 3:  
LEMO PFG.2B.304.CYMDxx type connector

Cable 1:  
LEMO PFG.2B.304.CYMDxx type connector

Tube 2  
Outer diameter ø6 mm  
Inner diameter ø4 mm

Tube 1  
Outer diameter ø6 mm  
Inner diameter ø4 mm

Text		Address	Screw penetration	ID number	1281005-01
Original drawing		Date		Change No.	C1304251-01
Scale		Format		Released	16-Jun-22
Dimensions in mm		2.5   A0		<b>Vulcano 2 XYT interface</b> Vulcano 2 XYT interface Mating Dimensions / Cotes d'encastrement Dimensions sans tolérance Dimensions with tolerance 0.2	
The reproduction, distribution and utilization of this document as well as the communication of its contents to others without express authorization is prohibited. Offenders will be held liable for the payment of damages. All rights reserved in the event of the grant of a patent, utility model or design. (ISO 15016)					
<b>ETEL</b> ETEL S.A. 2112 Môtier SWITZERLAND				Version / Revision / Sheet / Page 1304251-01 - A-01 / 2	