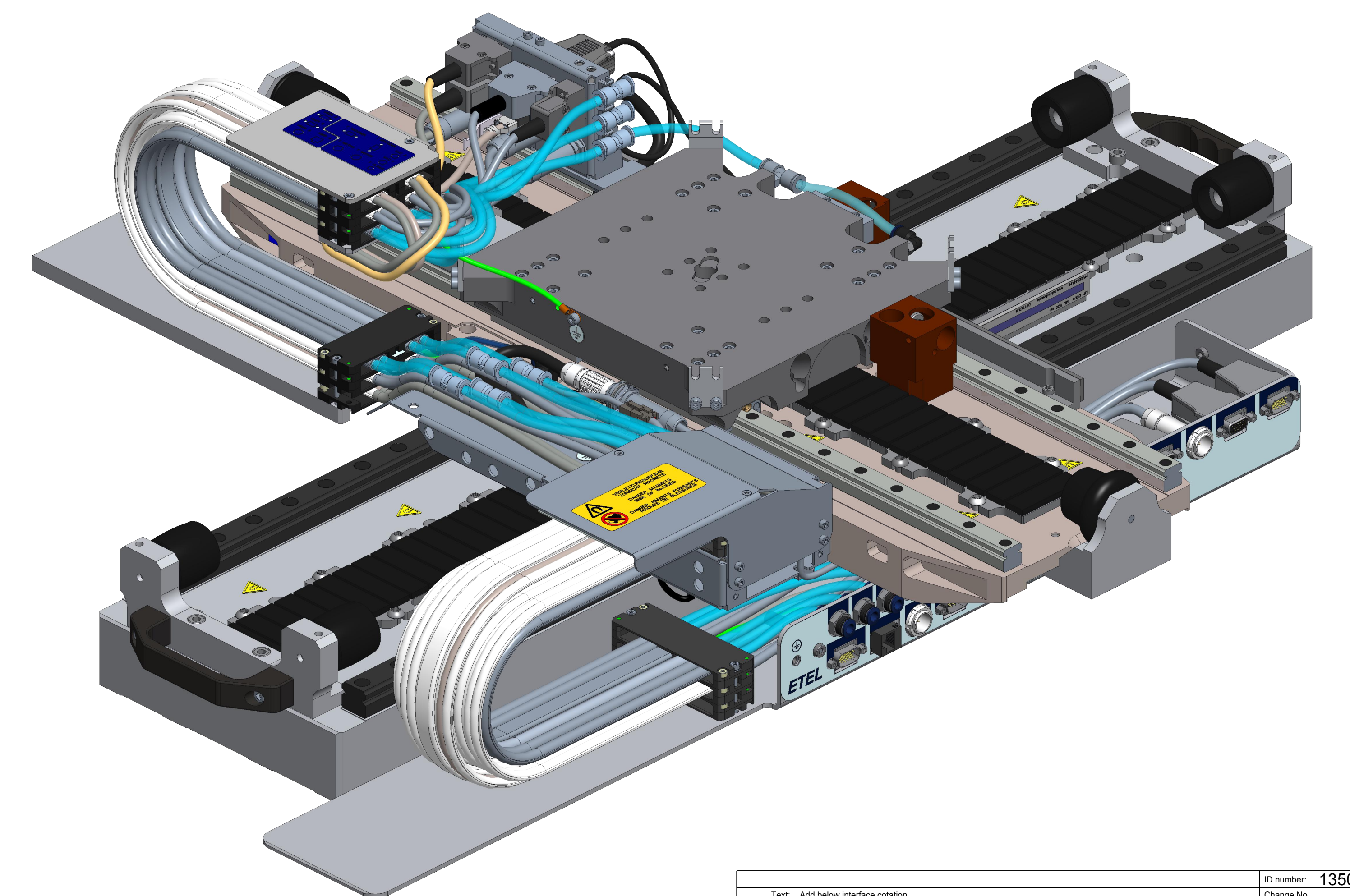
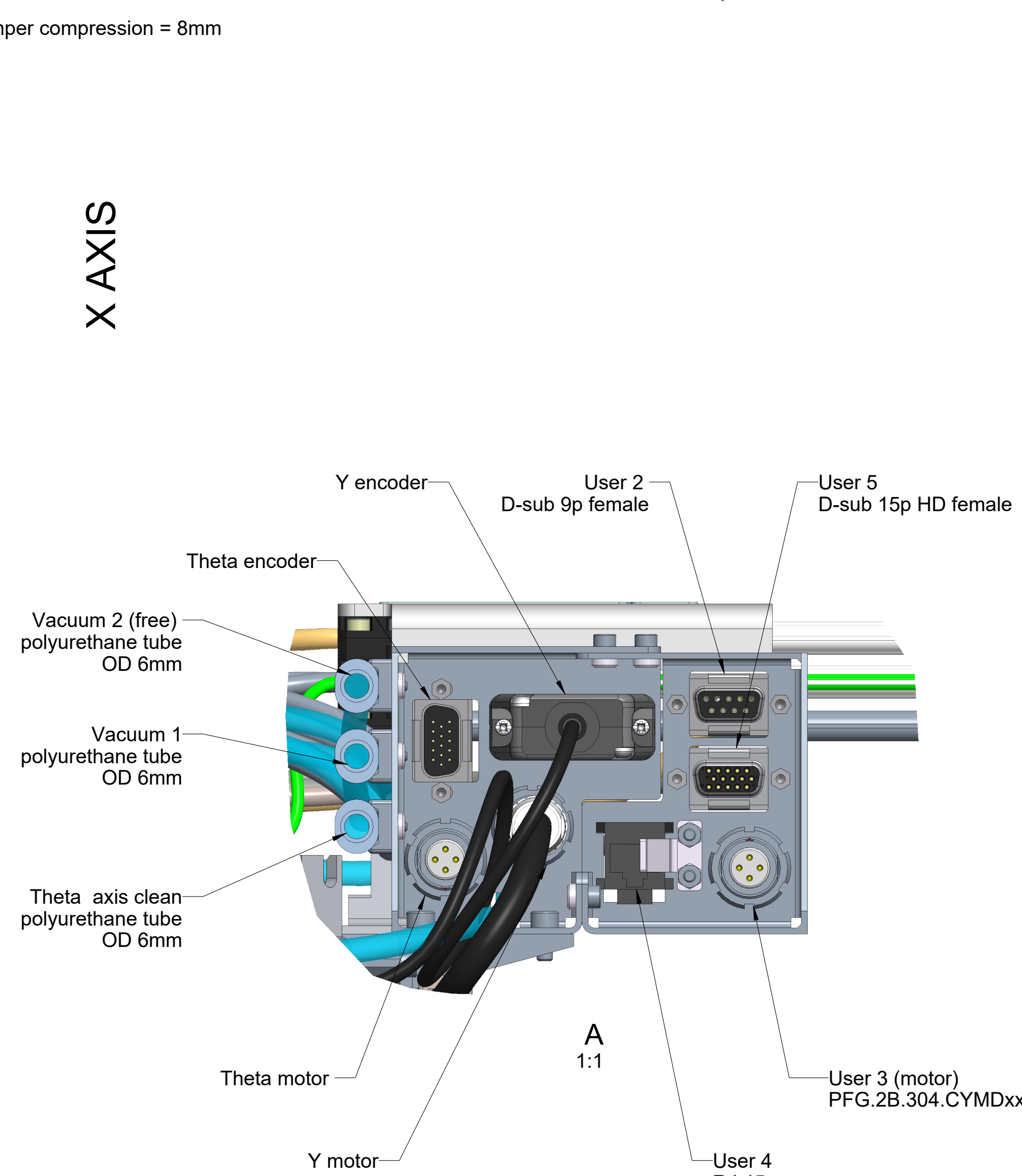
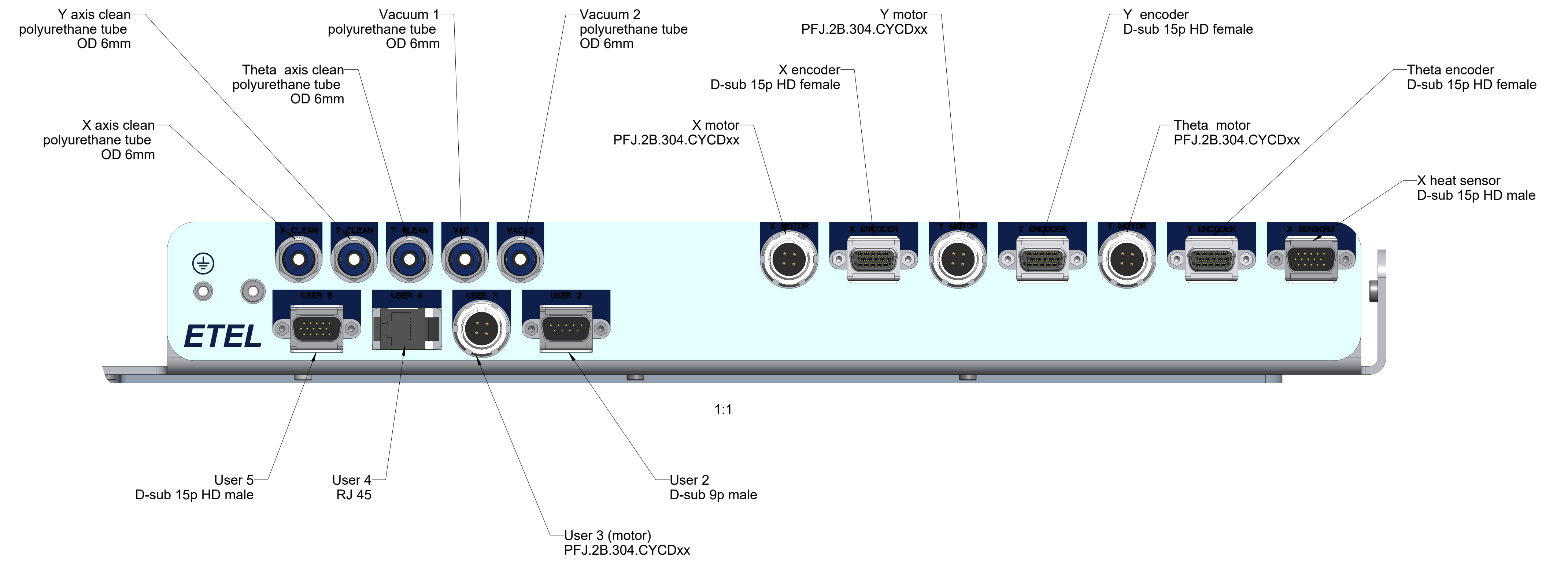
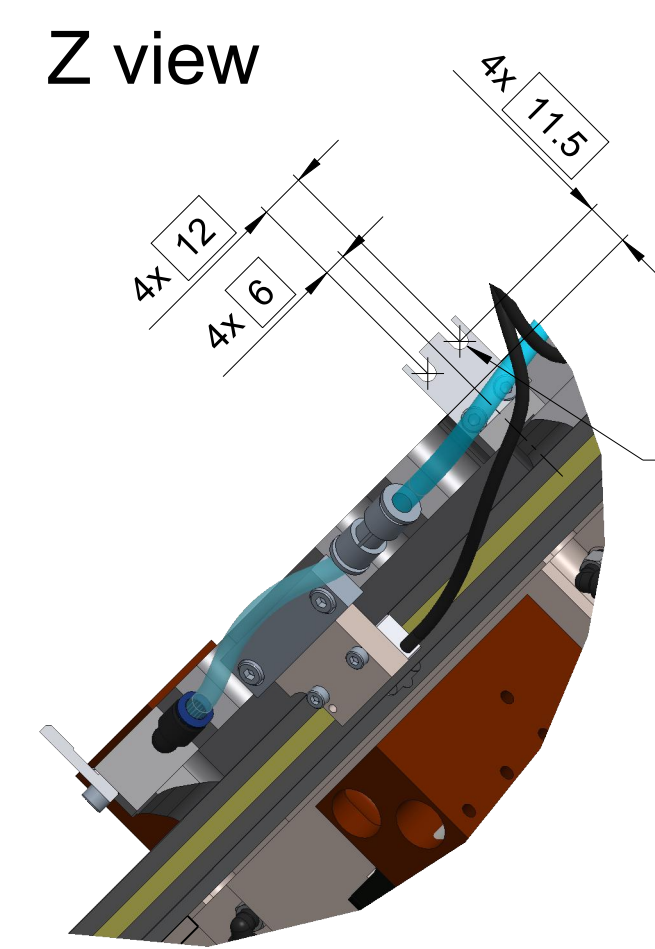
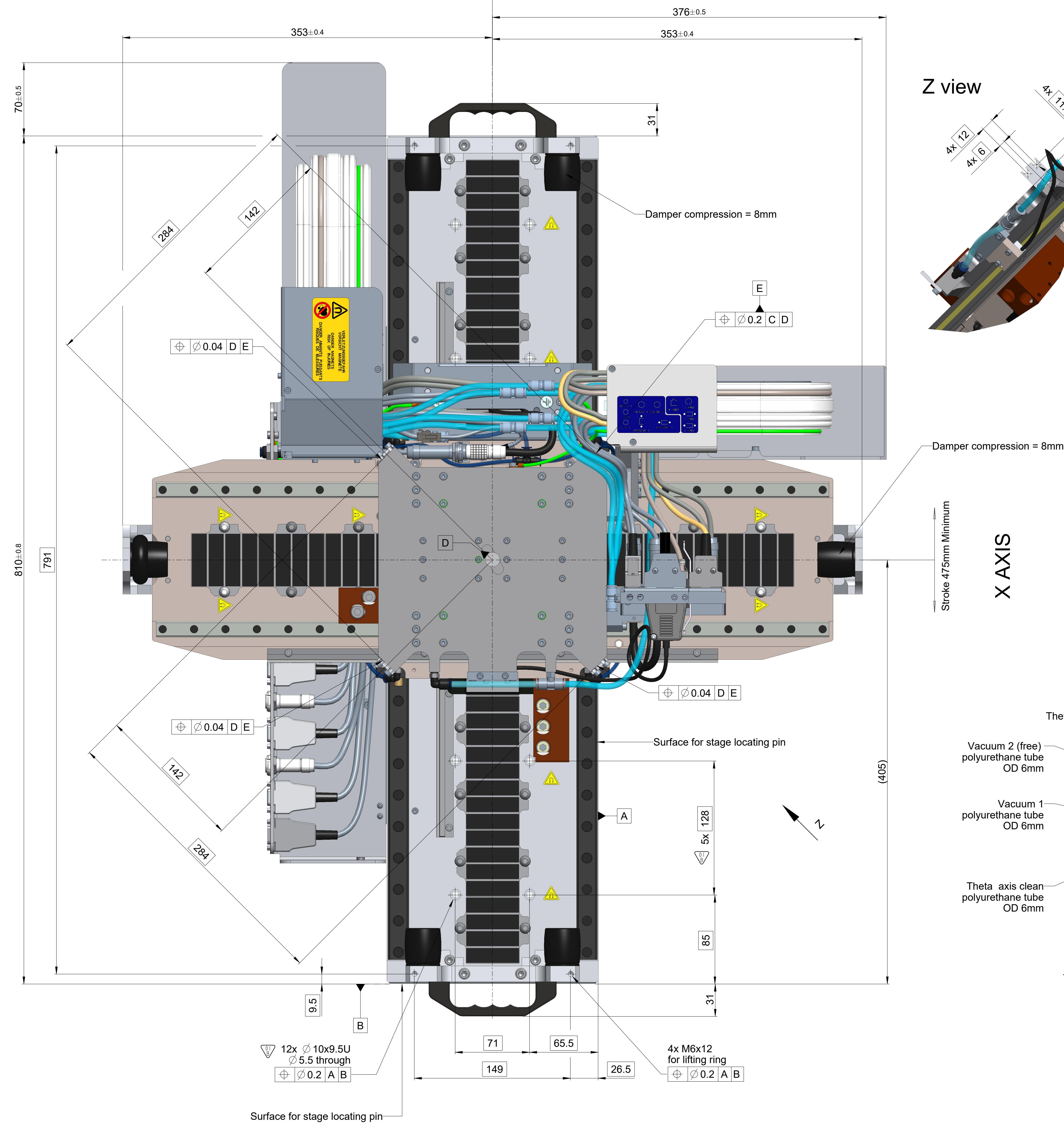
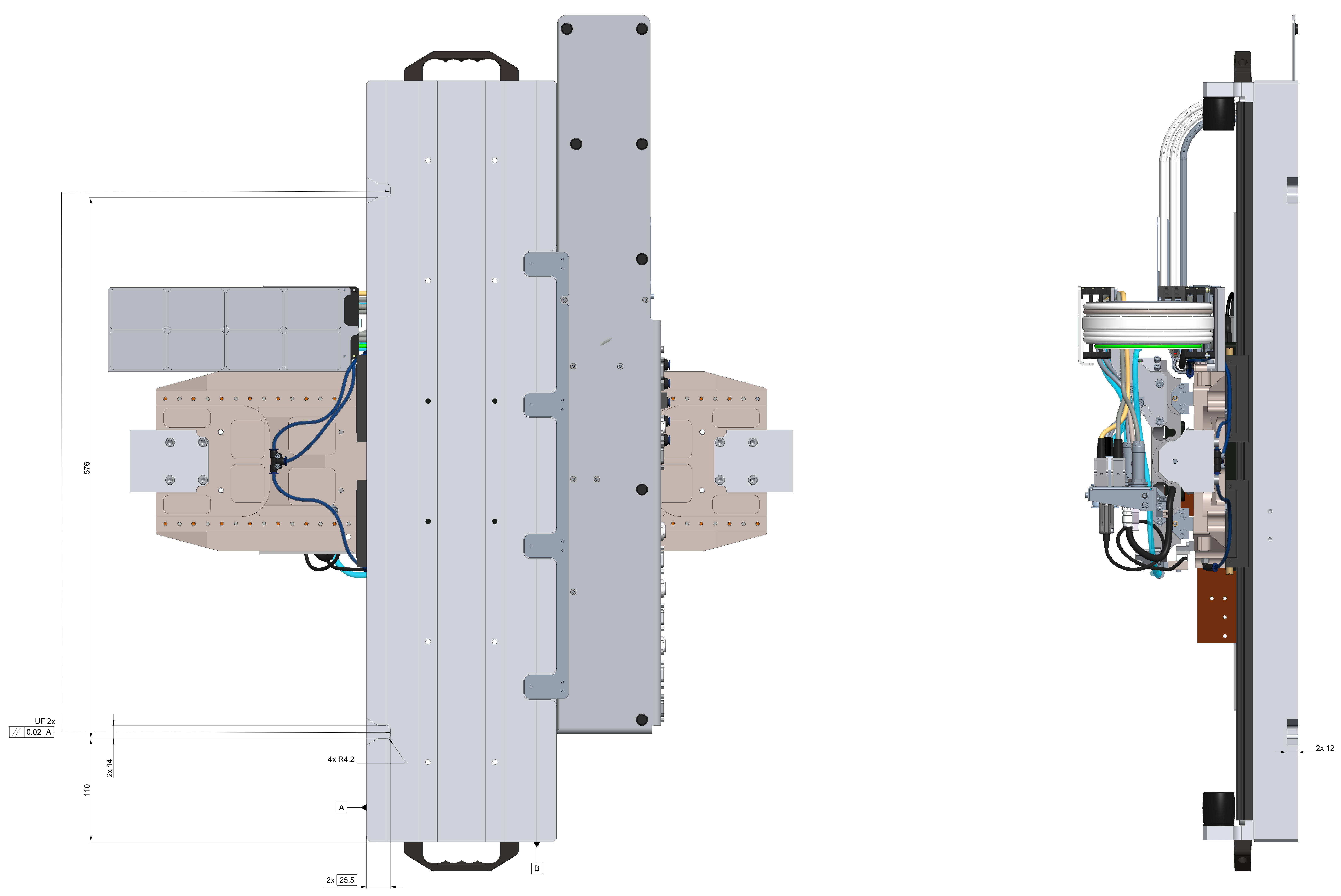


**Y AXIS**  
Stroke 410mm Minimum



Text: Add below interface notation		ID number: 1350698-01
Original drawing	CHARON 2 HD XY - 475 x 410 mm (DXR+ / DXRH)	Change No. C135070/0
State: 1 format	XY CHARON 2 HD - 475 x 410 mm (DXR+ / DXRH)	Released: 19.10.22
Dimensions in: 1:2 A0	Scaling Dimensions / Colors if environment	Tolerances as per ISO 8015: 2011 Tolerances series ISO 8015: 2011
The reproduction, distribution and utilization of this document as well as the communication of its contents to others without express authorization is prohibited. Offenders will be held liable for the payment of damages. All rights reserved in the event of the grant of a patent, utility model or design. (ISO 15071)		Dimensions without tolerance: 0.2
ETEL S.A. 2112 Mörsch SWITZERLAND		Revision (Sheet) Page 1373072-02-A-01 1 of 1





Text: Add below interface rotation		ID number: 1350698-01
Original drawing	CHARON 2 HD XY - 475 x 410 mm (DXR+ / DXRH)	Change No. C1350718-01
State: 1	Format: KY CHARON 2 HD - 475 x 410 mm (DXR+ / DXRH)	Released: 19.10.22
Dimensions in mm	3.5   A0	Reference as per ISO 8015: 2011 Reference series ISO 8015: 2011
The reproduction, distribution and utilization of this document as well as the communication of its contents to others without express authorization is prohibited. Offenders will be held liable for the payment of damages. All rights reserved in the event of the grant of a patent, utility model or design. (ISO 15016)		Dimensions sans tolérance: 0.2
ETEL S.A. 2112 Môtier SWITZERLAND		Version (Revision Sheet) Page 1373072-02-A-01 2 of 2