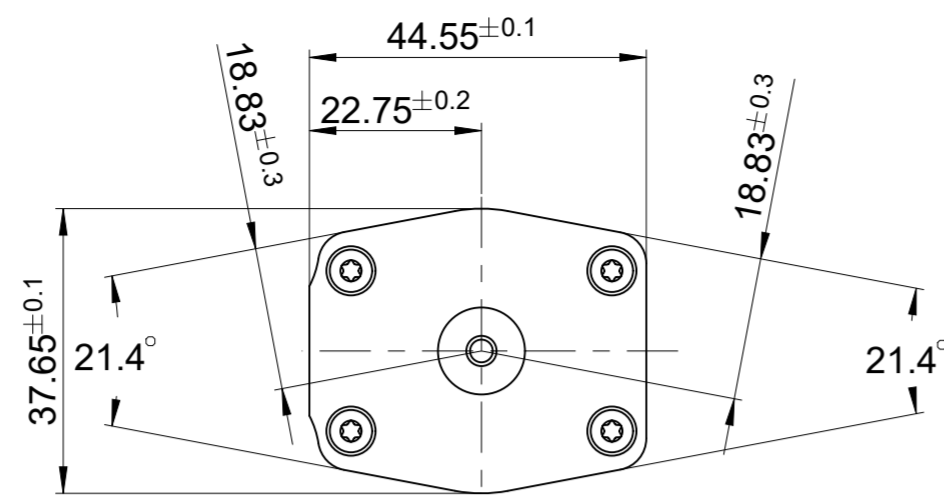
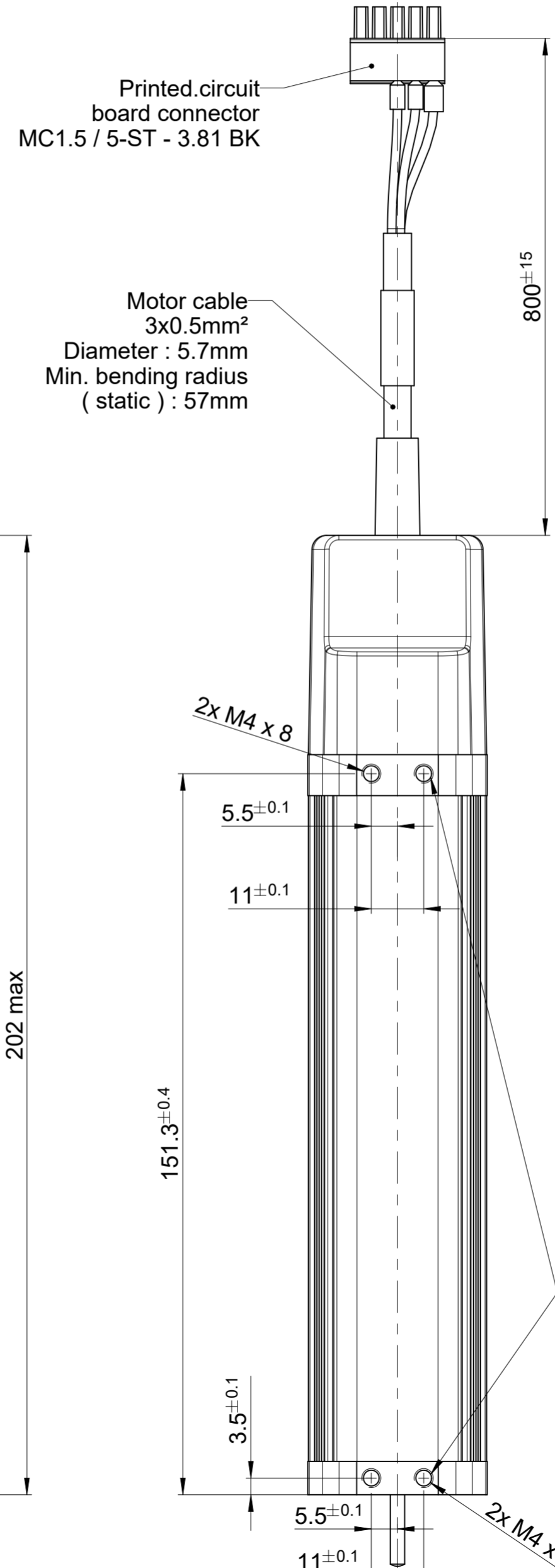
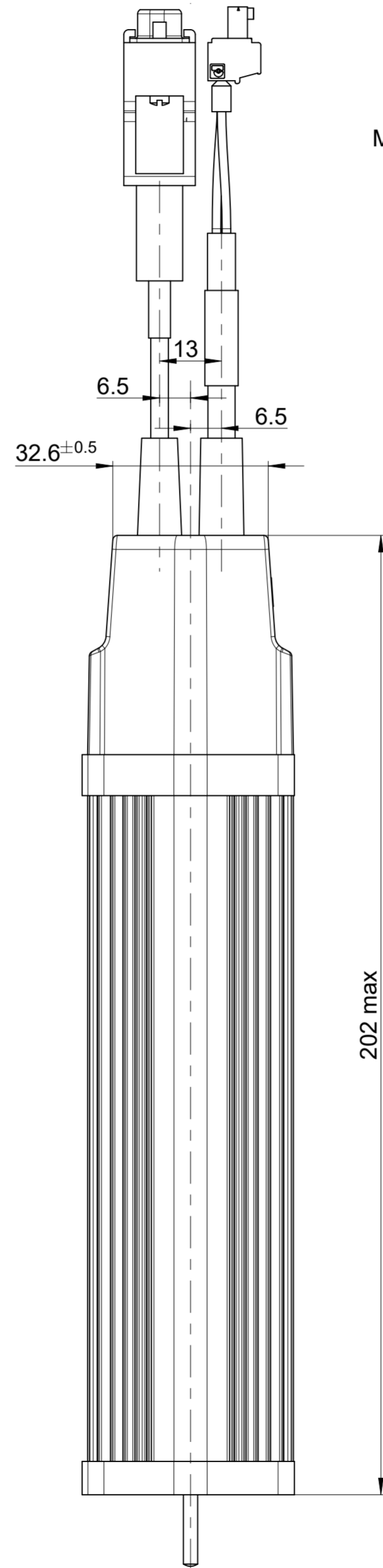
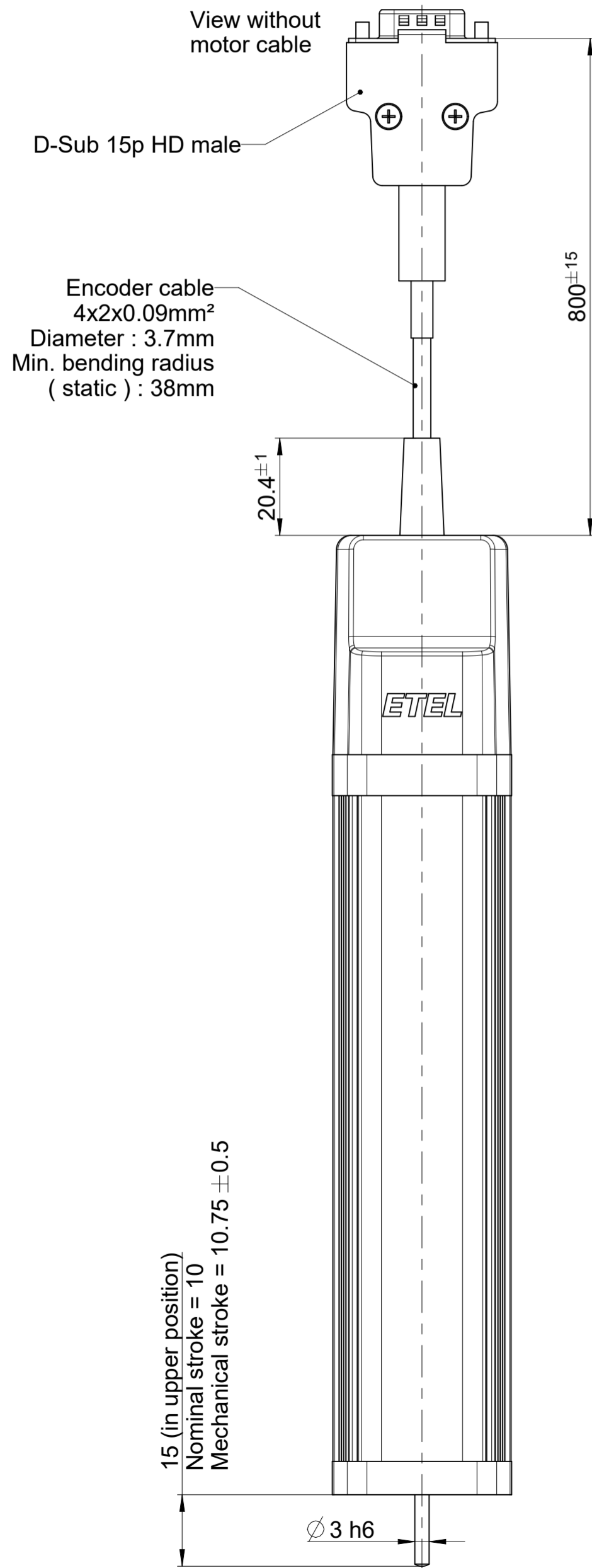


Function	Pin
+5 V	4
0 V	5
Shield	
Sin+	14
Sin-	7
Cos+	13
Cos-	6

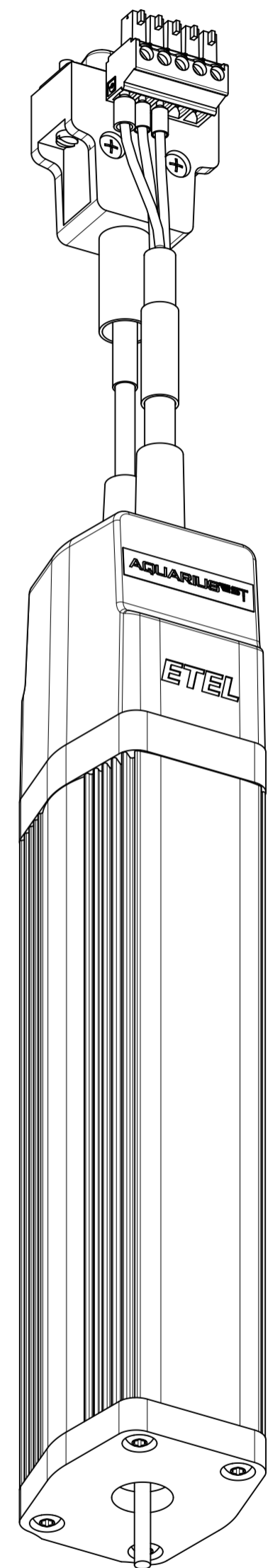
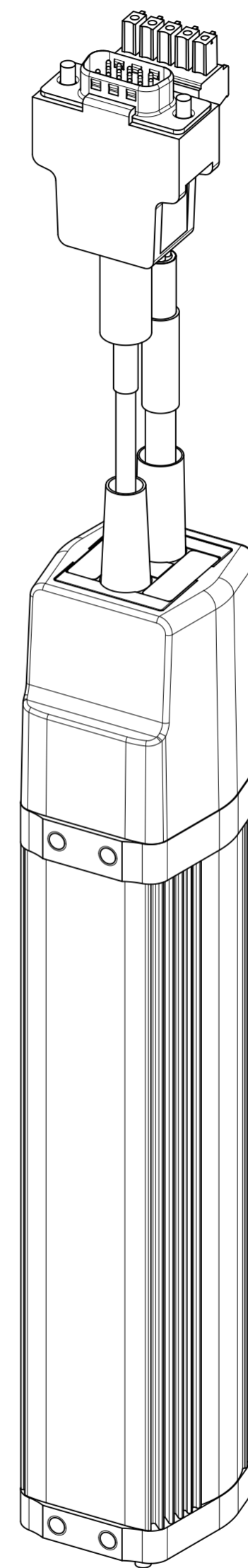


Function	Pin
PH1+	2
PH1-	3
PE+Shield	1

View without encoder cable



The simultaneous use of both holes pairs is forbidden.



Text: -		ID number: 1334151-01
Original drawing		Change No. C117630-10
Scale	Format	Released: 16-Nov-20
Dimensions in mm	1:1 A2	Tolerances as per ISO 8015 : 2011 Tolérances selon ISO 8015 : 2011
Linear axis Aquarius ST Axe linéaire Aquarius ST		Dimensions without tolerance ± 0,5 Dimensions sans tolérances
Mating Dimensions / Cotes d'encombrement		
The reproduction, distribution and utilization of this document as well as the communication of its contents to others without express authorization is prohibited. Offenders will be held liable for the payment of damages. All rights reserved in the event of the grant of a patent, utility model or design. (ISO 16016)		
<b>ETEL</b>	ETEL S.A. 2112 Môtiers SWITZERLAND	Version   Revision   Sheet   Page 1336662-00-A-01   1   1