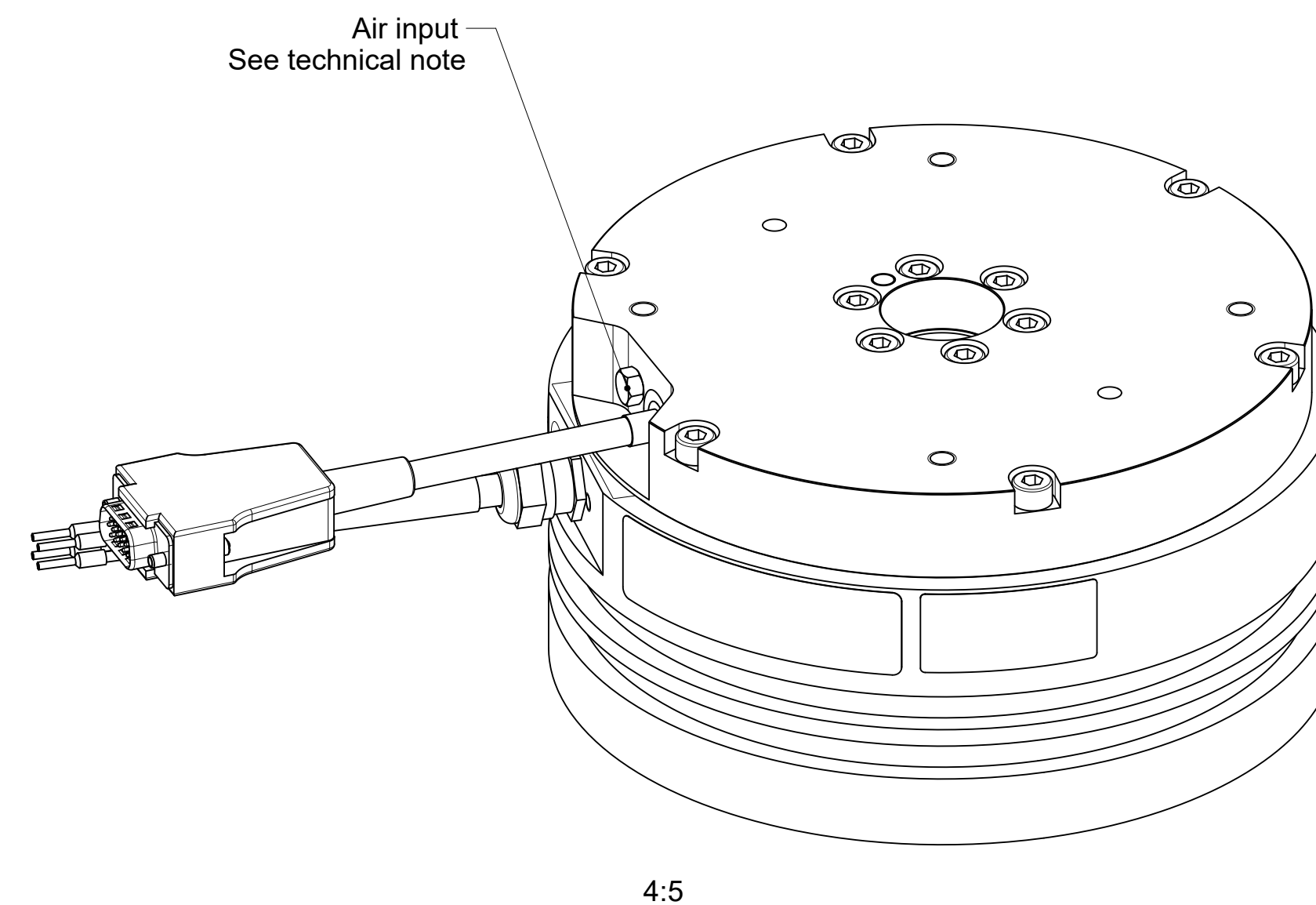
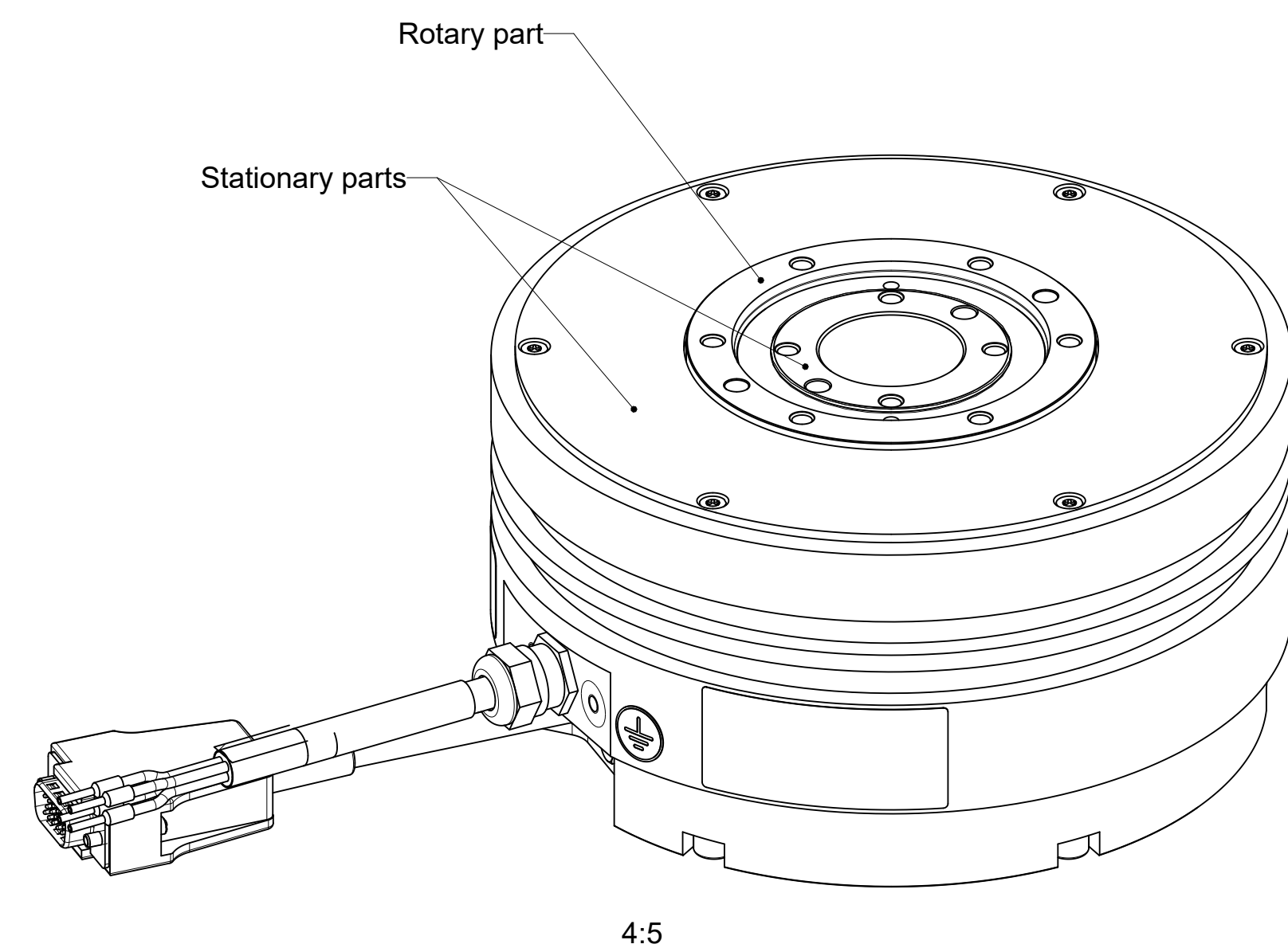


Encoder Connector Pinning

Pin	Function
4	+5V
5, 12	GND
6	COS-
7	SIN-
8	IDX-
13	COS+
14	SIN+
15	IDX+
1, 2, 3, 9, 10, 11	Not Connected



Motor cable pinning

Wire	Function
Wire 3	Motor phase 3
Wire 2	Motor phase 2
Wire 1	Motor phase 1
Gr-Ye	Protective Earth

Variant	Part n°	Winding	L	Tol.
ASME-RTMBi1400303RAS0000	1235110-01	3RAS	5000	±100
ASME-RTMBi1400303RBS0000	1235110-02	3RBS	5000	±100

1235110-01 ID number

Change No. C142285-20  
Released: 09.05.2022

Material: Matière:

Original drawing Scale Format  
RoHS 1:1 A1

ASME-RTMBi1400303\*\*S0000 - Interface  
ASME-RTMBi1400303\*\*S0000 - Interface

Dimensions in mm / Cotes en mm Mating Dimensions / Cotes d'encrochement

Workpiece edges ISO 13715  
Arêtes de formes selon ISO 13715  
-0.1  
L±0.3

General tolerances ISO 2768-mK  
Tolérances générales ISO 2768-mK

Surfaces as per ISO 1302  
Etats de surface selon ISO 1302

Tolerances as per ISO 8015 : 2011  
Tolérances selon ISO 8015 : 2011

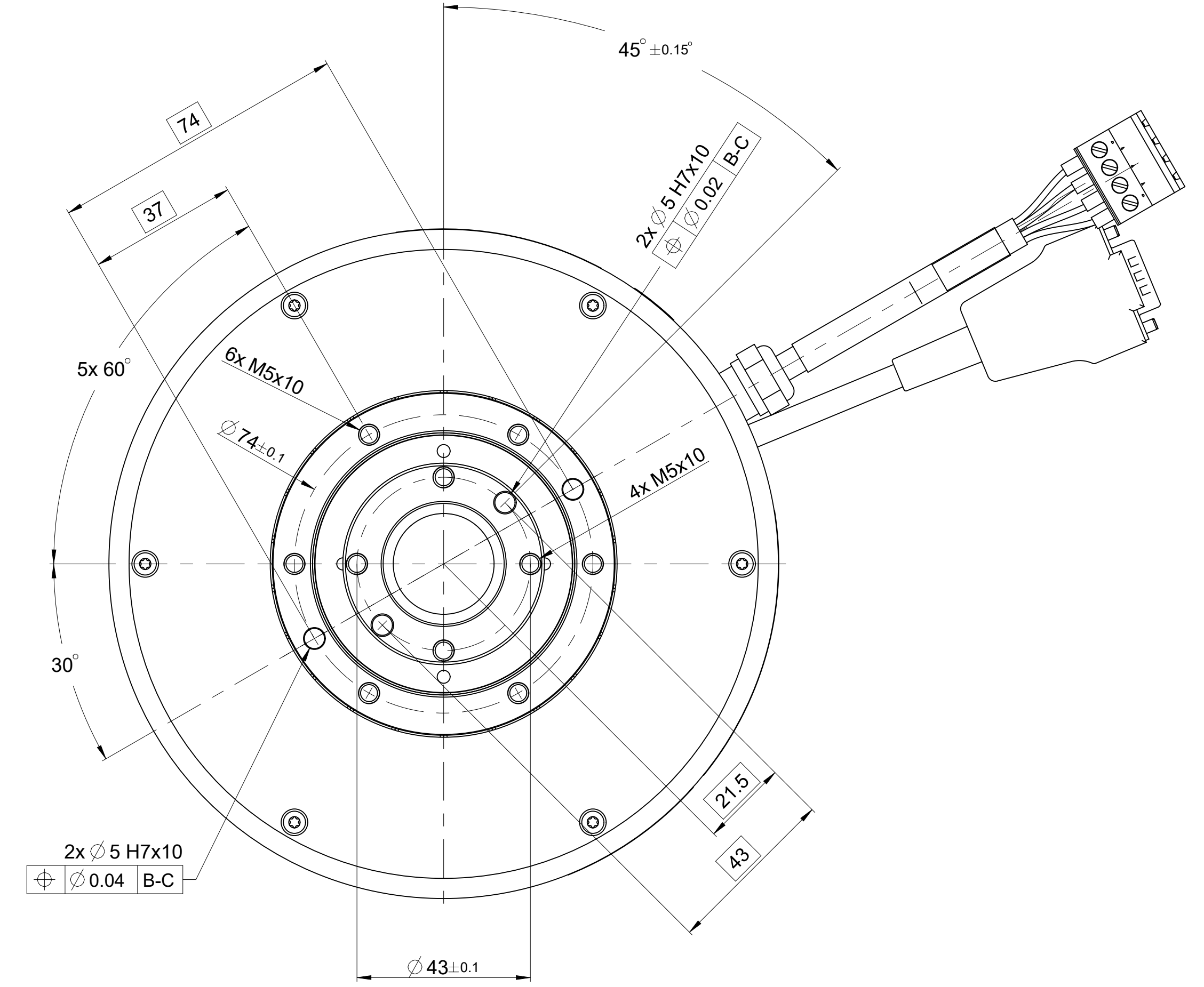
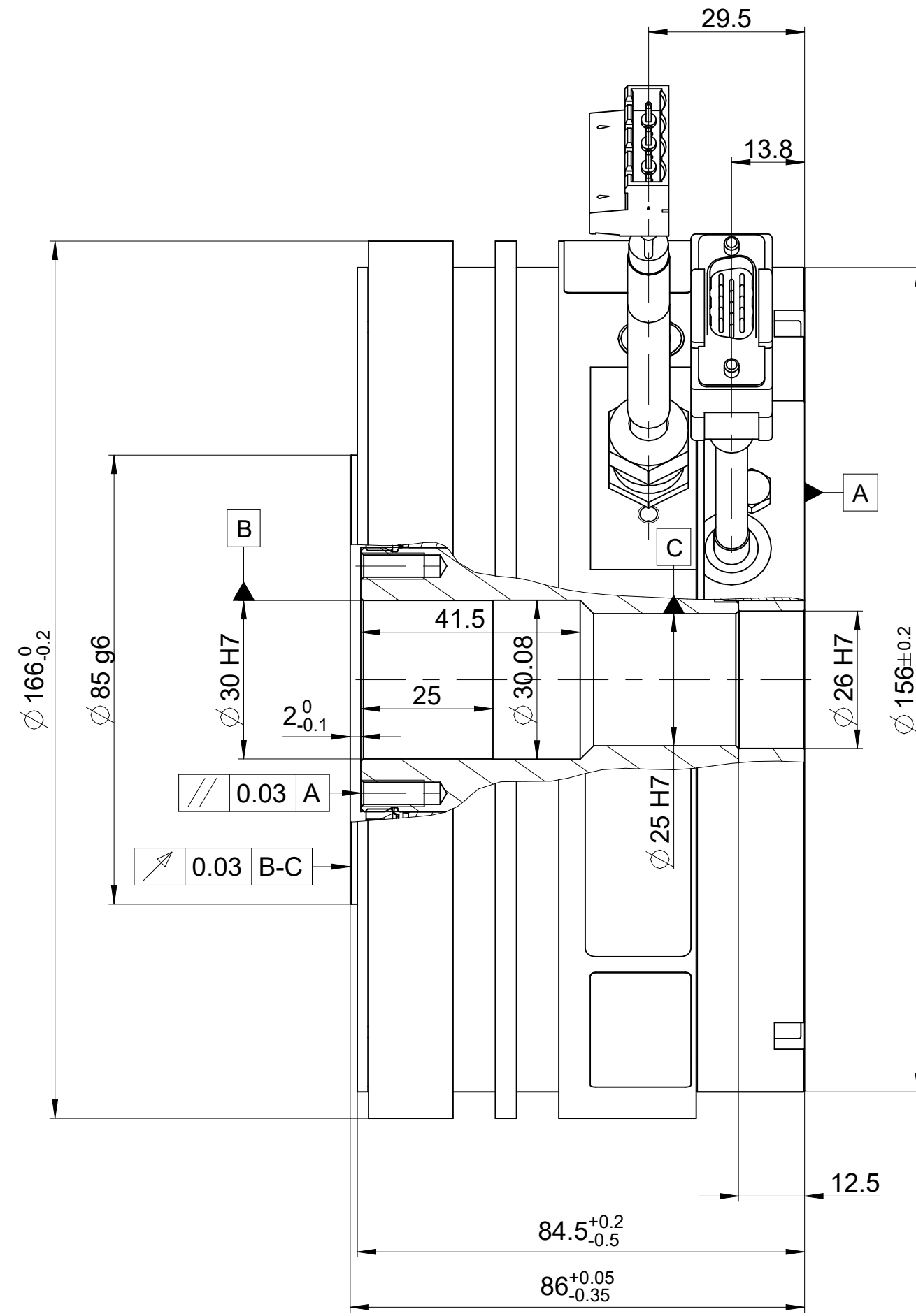
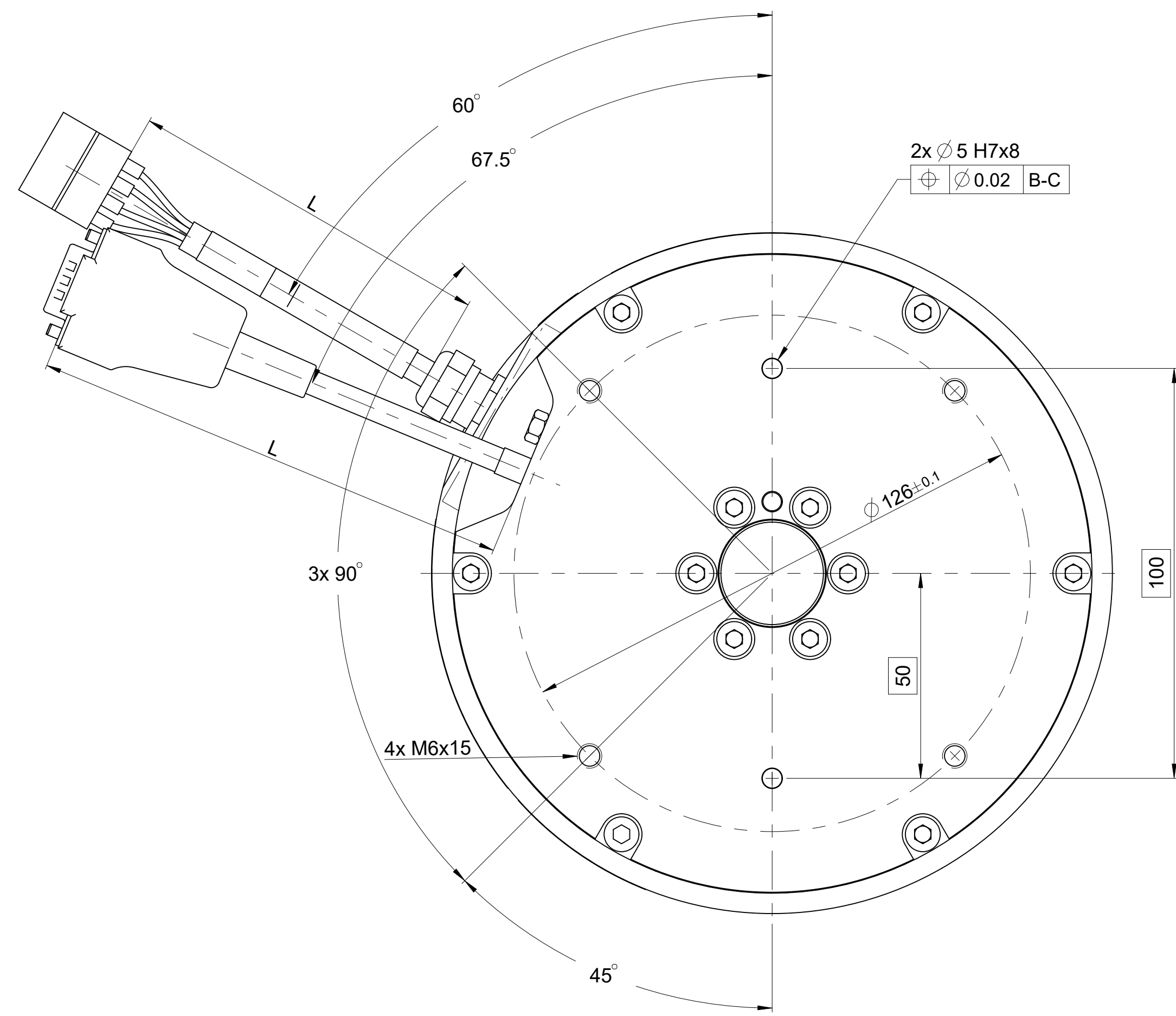
Surface treatment:  
Traitement de surface:

The reproduction, distribution and utilization of this document as well as the communication of its contents to others without express authorization is prohibited. Offenders will be held liable for the payment of damages. All rights reserved in the event of the grant of a patent, utility model or design. (ISO 18216)

ETEL ETEL S.A.  
2112 Möllers  
SWITZERLAND

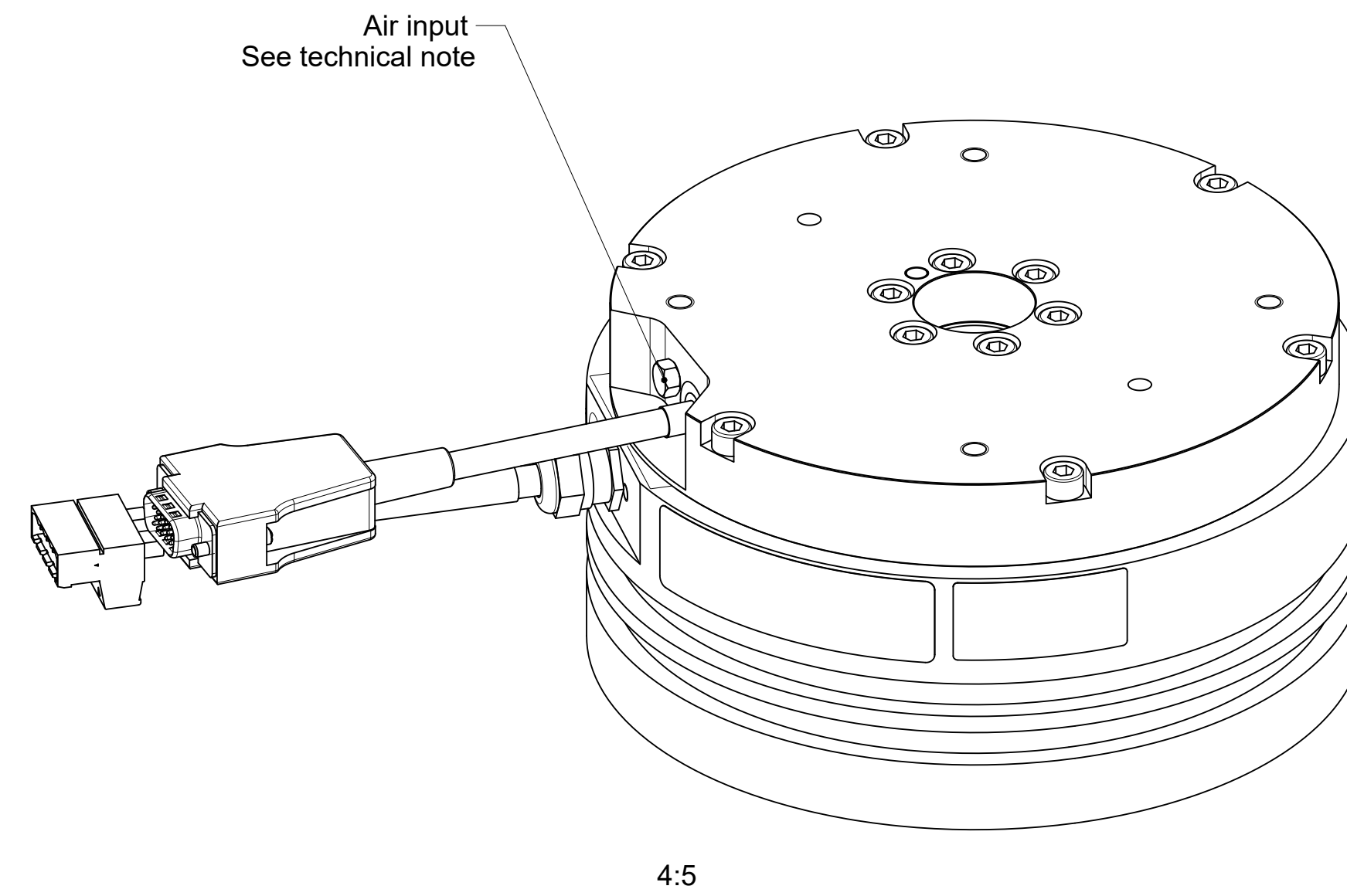
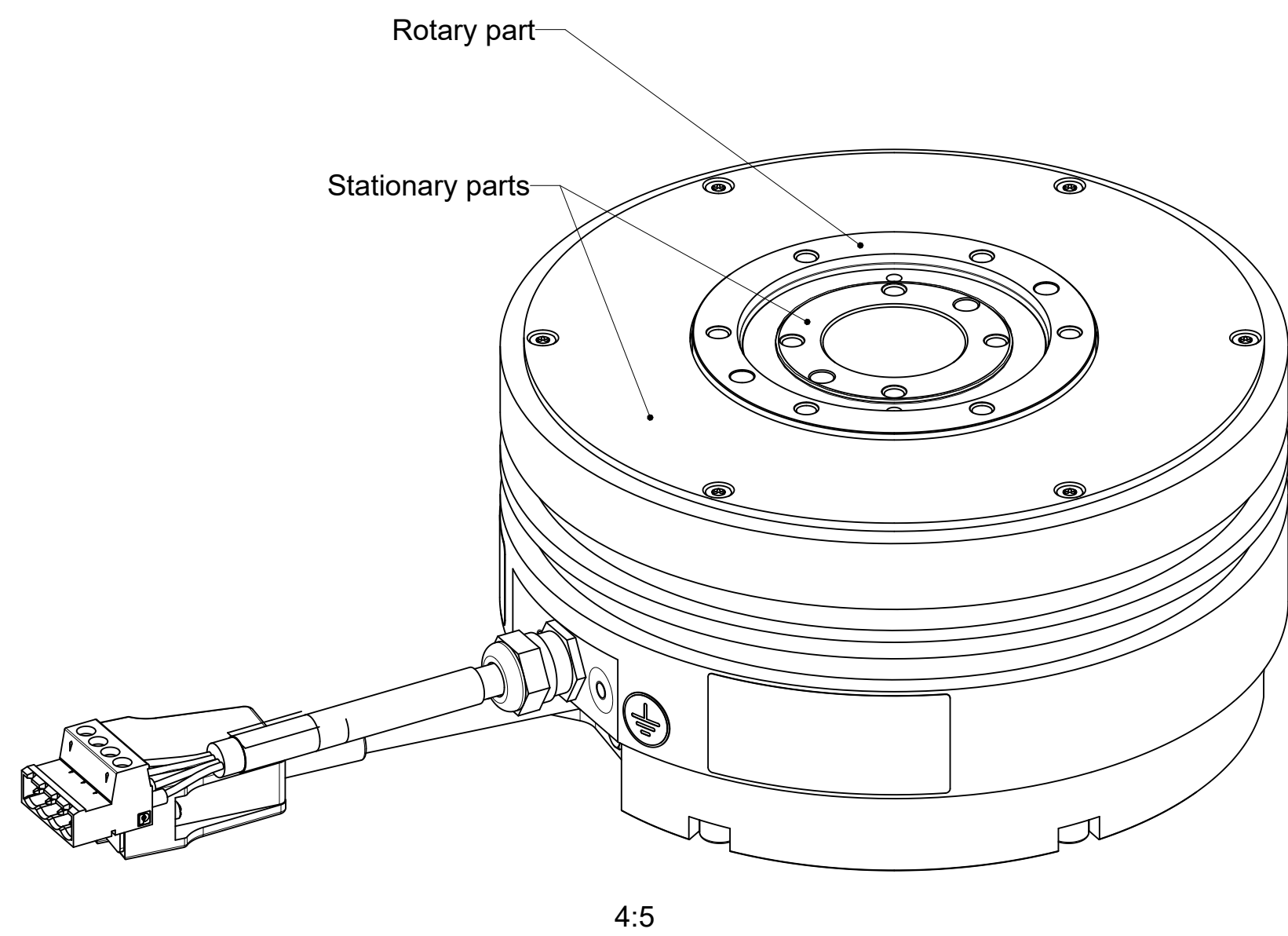
Version/Revision/Sheet Page  
1271705-01 - A-01 1 of 1

Document number

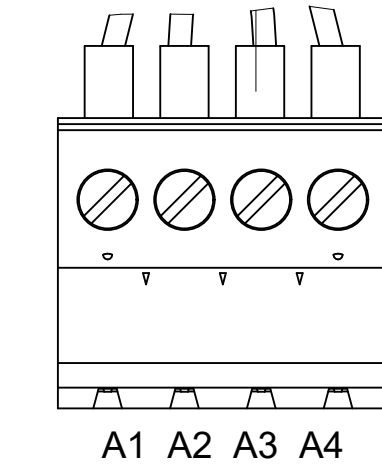


**Encoder Connector Pinning**

Pin	Function
4	+5V
5, 12	GND
6	COS-
7	SIN-
8	IDX-
13	COS+
14	SIN+
15	IDX+
1, 2, 3, 9, 10, 11	Not Connected



**300V Connector Pinning**



Pin	Wire	Function
A1	Wire 3	Motor phase 3
A2	Wire 2	Motor phase 2
A3	Wire 1	Motor phase 1
A4	Gr-Ye	Protective Earth

Variant	Part n°	Winding	L	Tol.
ASME-RTMBi1400303RAS0000	1196270-01	3RAS	5000	±100
ASME-RTMBi1400303RBS0000	1196270-02	3RBS	5000	±100

1196270-00 ID number

Text: Change No. C142285-25 Released: 09.05.2022

Original drawing Scale 1:1 Format A1

ASME-RTMBi1400303\*\*S0000 - Interface

ASME-RTMBi1400303\*\*S0000 - Interface

Material: Matière:

Dimensions in mm / Cotes en mm

Workpiece edges ISO 13715 Arêtes de formes selon ISO 13715

General tolerances ISO 2768-mK Tolérances générales ISO 2768-mK

Surfaces as per ISO 1302 Etats de surface selon ISO 1302

Tolerances as per ISO 8015 : 2011 Tolérances selon ISO 8015 : 2011

Surface treatment: Traitement de surface:

The reproduction, distribution and utilization of this document as well as the communication of its contents to others without express authorization is prohibited. Offenders will be held liable for the payment of damages. All rights reserved in the event of the grant of a patent, utility model or design. (ISO 15926)

ETEL ETEL S.A. 2112 Möhlers SWITZERLAND

Version/Revision/Sheet Page 1196502-01 - A-01 1 of 1

Document number